

Specifications

# SMART Board® 4055 interactive flat panel

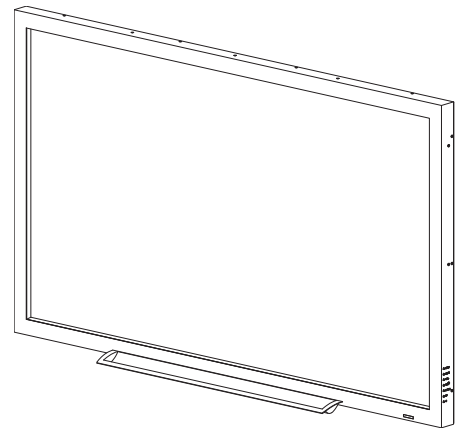
Model SPNL-4055

## Overview

Designed specifically for classrooms, the SMART Board® 4055 interactive flat panel combines a premium touch experience with the power of SMART Notebook® collaborative learning software on a 55" display.

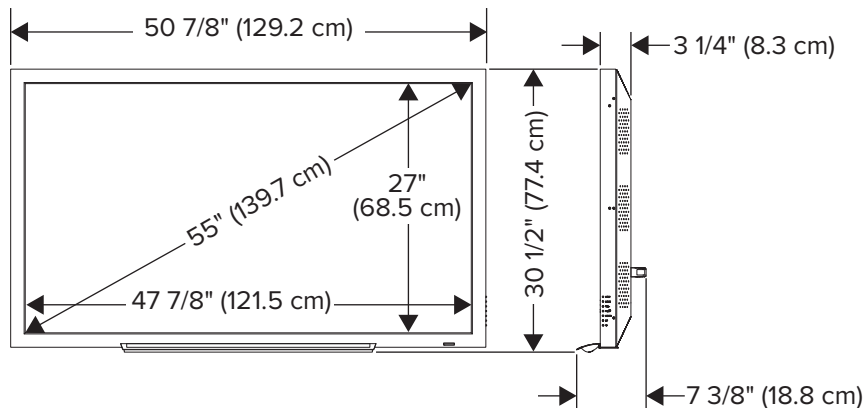
The high-definition, shadow-free 55" (139.7 cm) LED display features low-friction coated glass that lets fingers glide smoothly over the surface, creating a natural touch experience. The SMART Board 4055 interactive flat panel also virtually eliminates glare and provides an optimal view from any angle in the classroom. It delivers an unparalleled viewing and writing experience, and offers the best value for classrooms. With eight simultaneous touch points for Windows, multiple students can use gestures, like zoom, rotate and flip, at the same time.

See [smarttech.com](http://smarttech.com) for more information on this product.



## Dimensions and weights<sup>1</sup>

### Dimensions



### Weight

116 lb. 13 oz. (53 kg)

#### One interactive flat panel

54 1/2" W × 40 3/8" H × 11" D  
(138.5 cm × 102.5 cm × 28 cm)

#### Three interactive flat panels

54 1/2" W × 40 3/8" H × 33 1/8" D  
(138.5 cm × 102.5 cm × 84 cm)

### Shipping weight

#### One interactive flat panel

132 lb. 4 oz. (60 kg)

#### Three interactive flat panels

401 lb. 4 oz. (182 kg)

<sup>1</sup>All dimensions ± 1/8" (0.3 cm). All weights ± 2 lb. (0.9 kg).


## Hardware

<b>Touch technology</b>	Infrared
<b>Multi touch capabilities</b>	Eight touch on computers with Windows® 7 or Windows 8 operating systems
<b>Gestures</b>	Supports gestures on Windows 7 or Windows 8 operating system, and OS X 10.7 or 10.8 operating systems software
<b>Pixel pitch</b>	0.630 mm
<b>Horizontal frequency</b>	57 kHz–70 kHz
<b>Vertical frequency</b>	57 Hz–63 Hz
<b>Contrast ratio (typical)</b>	1400:1
<b>Brightness</b>	300 cd/m <sup>2</sup>
<b>Gamut</b>	68% of NTSC
<b>Viewing angle</b>	178 degrees
<b>Response time</b>	8 ms
<b>Optimum resolution</b>	1920 × 1080p at 60 Hz (16:9)
<b>Audio</b>	Two 10 W speakers
<b>Mounting holes</b>	For a VESA® 600 mm x 400 mm mounting plate

## Accessories

<b>Pens and pen tray</b>	One pen tray and two ergonomic pens with comfort grip
<b>Power cord</b>	North America, Europe and UK
<b>Remote control</b>	Infrared remote control
<b>VGA cable</b>	6' (1.8 m) D-sub 15-pin connector
<b>USB cable (touch)</b>	16' (5 m) USB A/B Type

## Connectors

<b>HDMI</b>	Three HDMI® 1.4 connections input	
<b>RGB D Sub (VGA)</b>	D-sub 15-pin connections input	
<b>Component</b>	Five RCA inputs (Y, Pb, Pr, L, R)	
<b>Composite</b>	RCA analog audio and composite video inputs (red, white and yellow)	
<b>SPDIF</b>	SPDIF optical output	
<b>USB A</b>	USB A (media access)	
<b>USB B</b>	USB B (touch)	
<b>PC audio</b>	3.5 mm stereo input	
<b>AC power</b>	IEC 60320-C14 Socket	

## Installation requirements

<b>Installation</b>	See the <i>SMART Board E70, 4065 and 4055 interactive flat panel setup and maintenance guide</i> ( <a href="http://smarttech.com/kb/170799">smarttech.com/kb/170799</a> ).
<b>Computer</b>	See the latest SMART Notebook software release notes at <a href="http://smarttech.com/support">smarttech.com/support</a> .

## Operating and storage requirements

<b>Power supply</b>	100V AC to 240V AC, 50 Hz to 60 Hz
<b>Power consumption</b>	125 W maximum
<b>Standby power</b>	<0.5 W
<b>Operating temperature</b>	41°F to 95°F (5°C to 35°C)
<b>Operating humidity</b>	10% to 80%, non-condensing
<b>Storage temperature</b>	-4°F to 140°F (-20°C to 60°C)
<b>Storage humidity</b>	5% to 95%, non-condensing

## Certification and compliance

<b>Regulatory certification</b>	UL/c-UL (U.S. and Canada), FCC, IC and CE
<b>Environmental compliance</b>	
European Union	REACH, RoHS, WEEE, Battery, Packaging and ErP Standby
U.S.	Packaging and Conflict Minerals

SPECIFICATIONS

**SMART BOARD® 4055 INTERACTIVE FLAT PANEL – MODEL SPNL-4055**

## Warranty

**Warranty** Two-year limited equipment warranty. One or three-year extensions available.

## Purchasing information

### Order numbers

SPNL-4055 SMART Board 4055 interactive flat panel. Includes a SMART Notebook software installation DVD.

---

**Optional accessories** See [smarttech.com/accessories](http://smarttech.com/accessories)

---

[smarttech.com/support](http://smarttech.com/support)

[smarttech.com/contactsupport](http://smarttech.com/contactsupport)

© 2015 SMART Technologies ULC. All rights reserved. SMART Board, smarttech, the SMART logo and all SMART taglines are trademarks or registered trademarks of SMART Technologies ULC in the U.S. and/or other countries. All third-party product and company names may be trademarks of their respective owners. This product and/or use thereof covered by one or more of the following U.S. patents. [www.smarttech.com/patents](http://www.smarttech.com/patents). Contents are subject to change without notice. 02/2015.