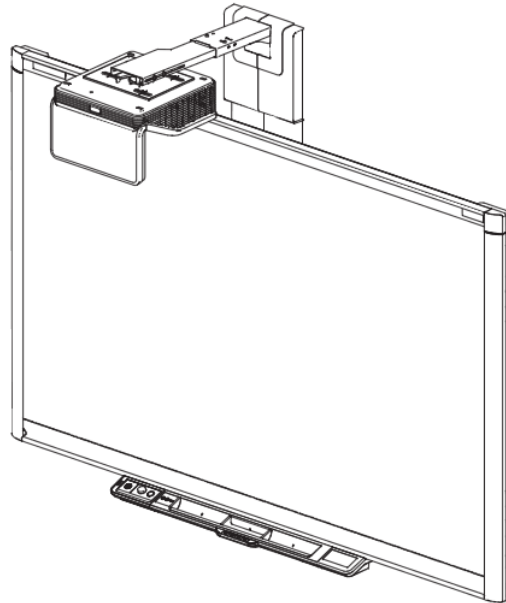


SMART[®]



Service Parts Diagrams

For Model:

SB880i6

SB885i6

Applies only to models with serial numbers that are within the following ranges:

SBX885-H2/M2-A000001 to SBX885-H2/M2-A999999

SBX885-V2-0000001 to SBX885-V2-9999999

SBX885-MP-A000001 to SBX885-MP-A999999

SBX880-H2/M2-A000001 to SBX880-H2/M2-A9999

SBX880-V2-0000001 to SBX880-V2-9999999

Service Parts Diagrams Revision History

Revision 1 - April, 2014

- New document

Revision 2 - October, 2014

- Change projector and ECP warranty from two to three years

Standard Warranty Terms

The projector and extended control panel (ECP) have a three-year limited equipment warranty. The UF70/UF70w projector lamp has a 1000-hour/one-year warranty. Your interactive whiteboard has a two-year limited equipment warranty or a five-year limited equipment warranty upon registration.

First Customer Ship: September, 2013

SMART Technologies

3636 Research Road NW

Calgary, AB T2L 1Y1

CANADA

Support +1.403.228.5940 or Toll Free 1.866.518.6791 (Canada/U.S.)

Support Fax +1.403.806.1256

www.smarttech.com/contactserviceparts www.smarttech.com

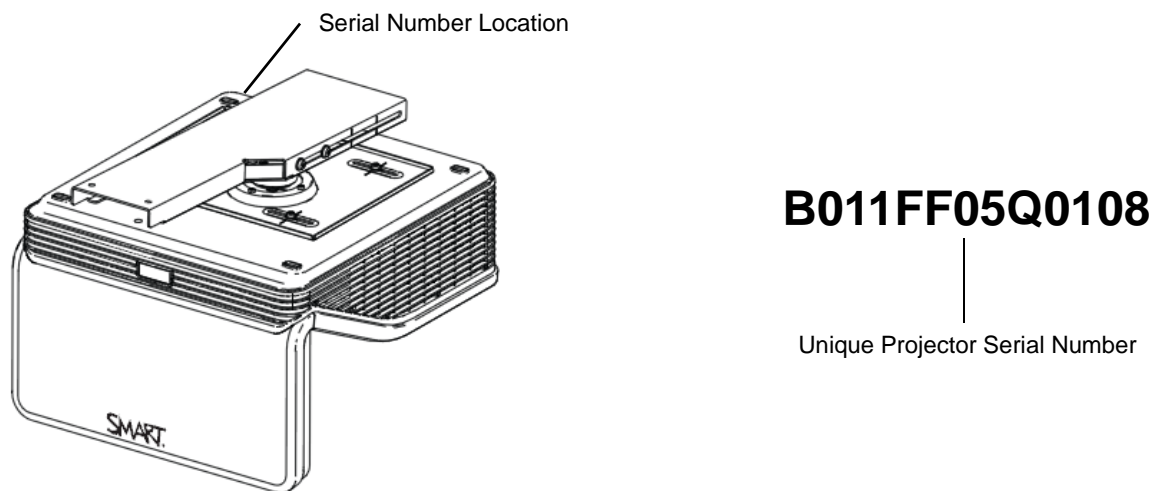
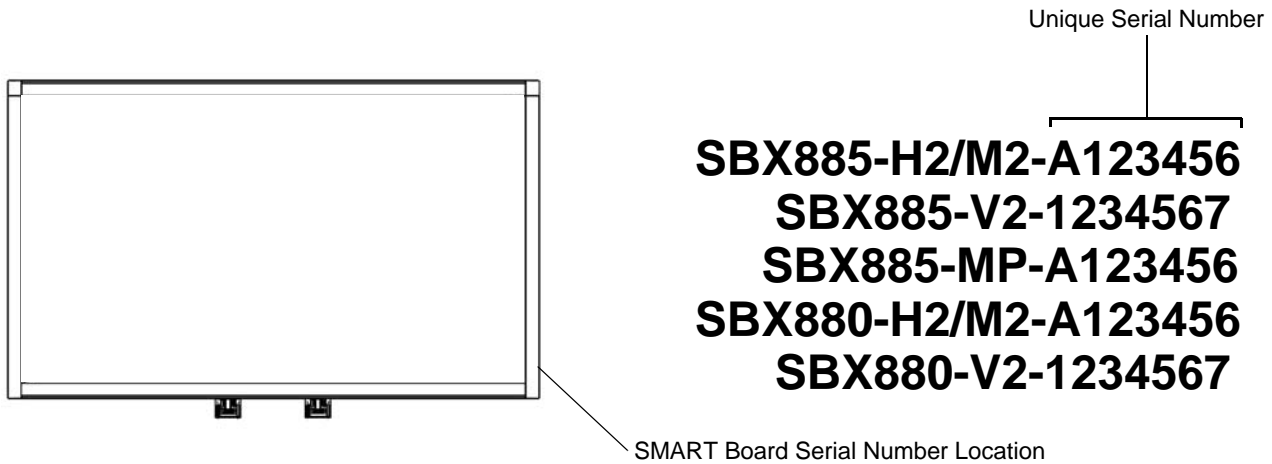
The SMART logo consists of the word "SMART" in a bold, stylized, sans-serif font. The letters are black with a white outline, and a registered trademark symbol (®) is located at the bottom right of the letter "T".

Service Parts Diagrams for the SB880i6 and SB885i6

- Identifying Your Product Using the Serial Number 1
- Ordering Parts 1
- UF70/UF70w Parts 2
- Optional Projector Mounting Hardware Kit Assembly (Part No. 1013576) 4
- Assembly, SB800 Extended Control Panel for UF70 and UF70w (Part No. 1020926) 5
- Optional SBX8 Series Control Cable (Part No. SBX8-CTRL) 6
- SBX880 Parts 7
- SBX885 Parts 9

Identifying Your Product Using the Serial Number

To make sure that you have the correct service parts diagrams, you must verify the serial number of your SMART Board 800 series interactive whiteboard. The SMART Board serial number will be located on the side of the right hand bezel. The projector serial number is located on the back projector. An example of the serial number format is shown below.



Ordering Parts

Customers

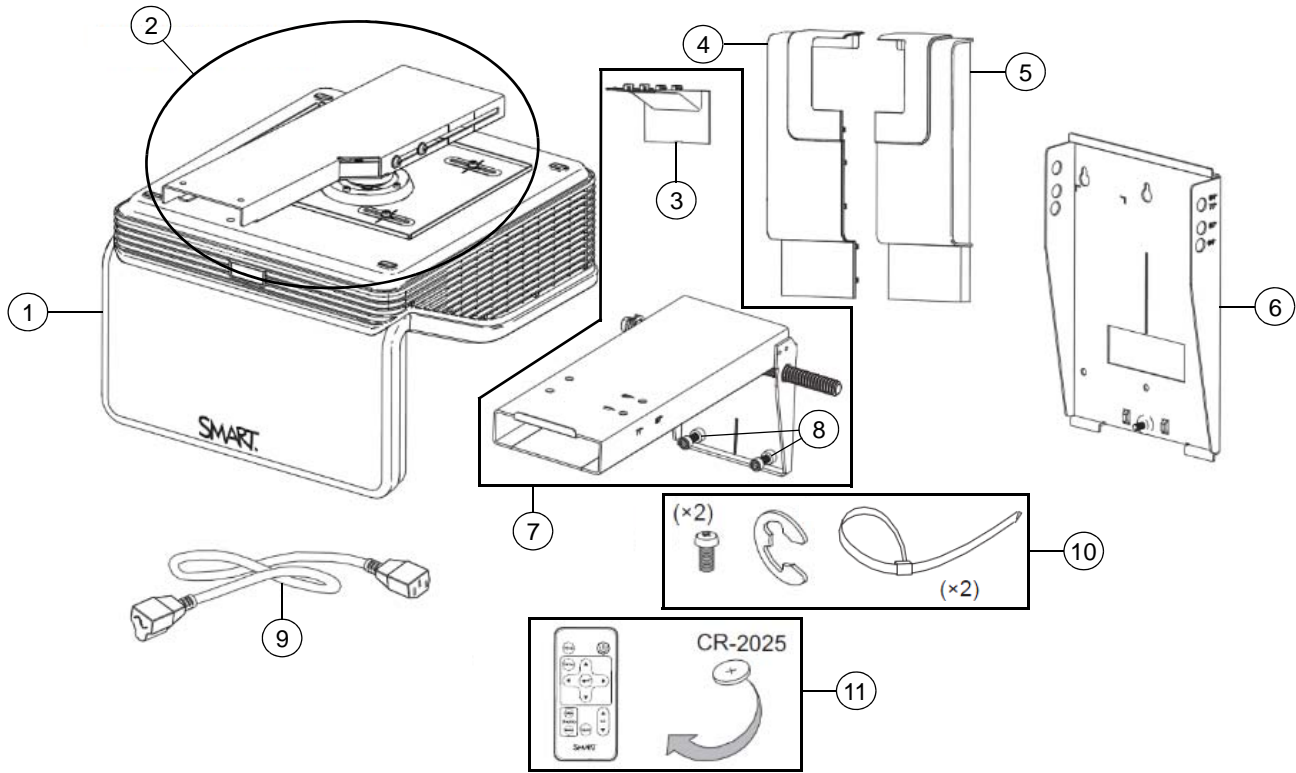
To order any of the parts in these service parts diagrams, contact your local reseller. To find a reseller near you, visit www.smarttech.com/where.

Dealers and Distributors

For specific technical and pricing enquiries in regards to these diagrams please contact our service parts department. Pricing is also available on-line via the SOURCE website (source.smarttech.com).

Web Form: www.smarttech.com/contactserviceparts
Phone: 1.888.42.SMART
International: +1.403.245.0333

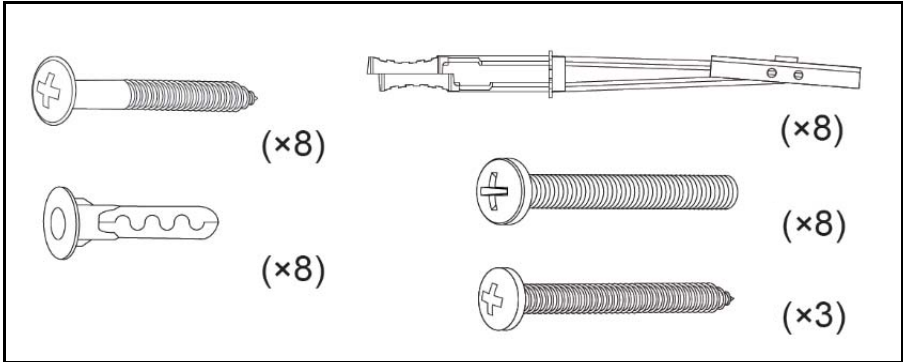
UF70/UF70w Parts



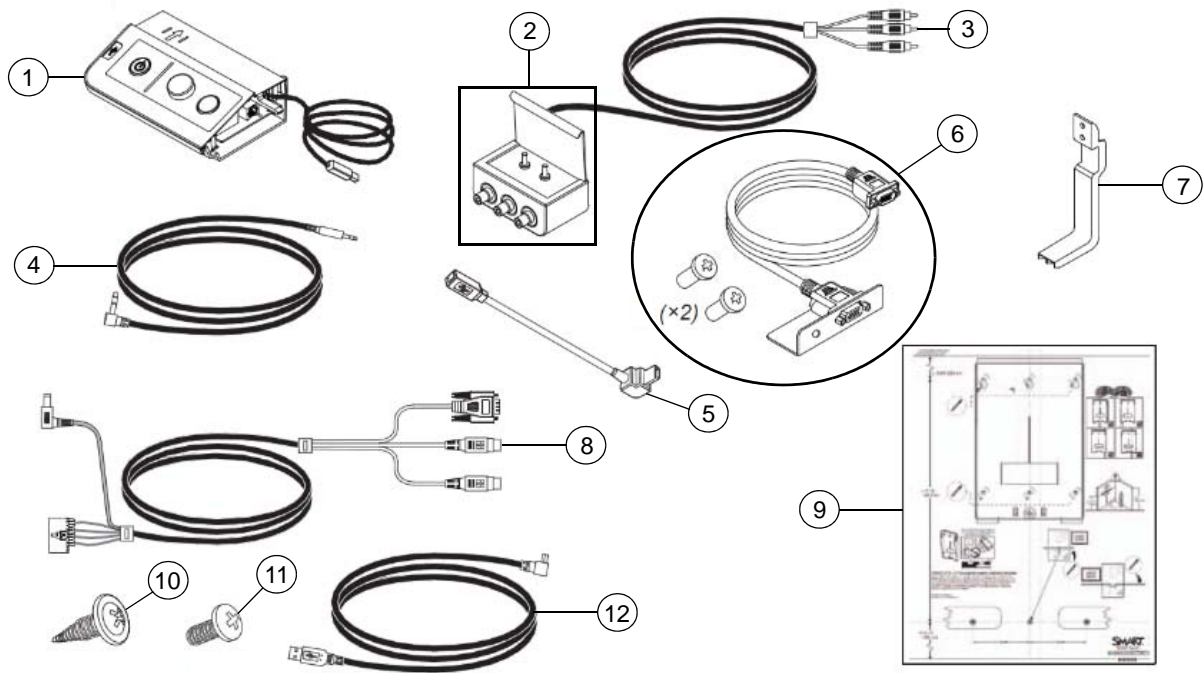
Item	Part No.	Qty	Description
1	FRU-UF70-PJR	1	FRU, UF70 projector only NOTE: Includes projector and item 2.
1	FRU-UF70w-PJR	1	FRU, UF70w projector only NOTE: Includes projector and item 2.
2	1019482	1	Assembly, projector boom, front, UF70/UF70w NOTE: Comes attached to the UF70/UF70w projector.
3	1016967	1	Cover, wire, UF70/UF70w
4	1019759	1	Cover, wall mount, left, UF70/UF70w
5	1019760	1	Cover, wall mount, right, UF70/UF70w
6	1019762	1	Plate, wall, UF70/UF70w
7	1019471	1	Assembly, projector boom, rear, UF70/UF70w, with cable cover NOTE: Includes items 3, 7 and 8.
8	30-01401-20	2	Screw, M6 x 35 mm, hex socket, cap head
9	93-00630-20	1	Cable, power, North America, 14' 9" (4.5 m)
9	93-00632-20	1	Cable, power, United Kingdom, 14' 9" (4.5 m)
9	93-00631-20	1	Cable, power, Europe, 14' 9" (4.5 m)
9	93-00629-20	1	Cable, power, Australia, 14' 9" (4.5 m)
9	93-00634-20	1	Cable, power, Japan, 14' 9" (4.5 m)
9	93-00633-20	1	Cable, power, China, 14' 9" (4.5 m)
9	93-00670-20	1	Cable, power, Korea, 14' 9" (4.5 m)

9	1018969	1	Cable, power, Singapore, 14' 9" (4.5 m)
9	1018970	1	Cable, power, India, 14' 9" (4.5 m)
9	1018971	1	Cable, power, Saudi Arabia, 14' 9" (4.5 m)
9	1018972	1	Cable, power, Brazil, 14' 9" (4.5 m)
10	1019761	1	Assembly, hardware kit, UF70/UF70w
11	03-00131-20	1	Remote control NOTE: Battery not included with replacement remotes.
Not shown	1020766	1	Door, lamp cover, UF70/UF70w NOTE: Comes attached to the UF70/UF70w projector.
Not shown	1020991	1	Replacement Lamp for UF70 and UF70w Projectors
Not shown	1021005	1	Assembly, hardware kit, front boom, UF70/UF70w NOTE: Used to attach item 2 to the projector.

Optional Projector Mounting Hardware Kit Assembly (Part No. 1013576)

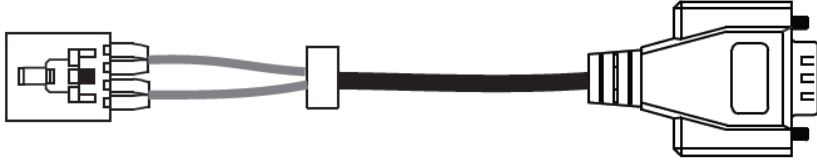


Assembly, SB800 Extended Control Panel for UF70 and UF70w (Part No. 1020926)

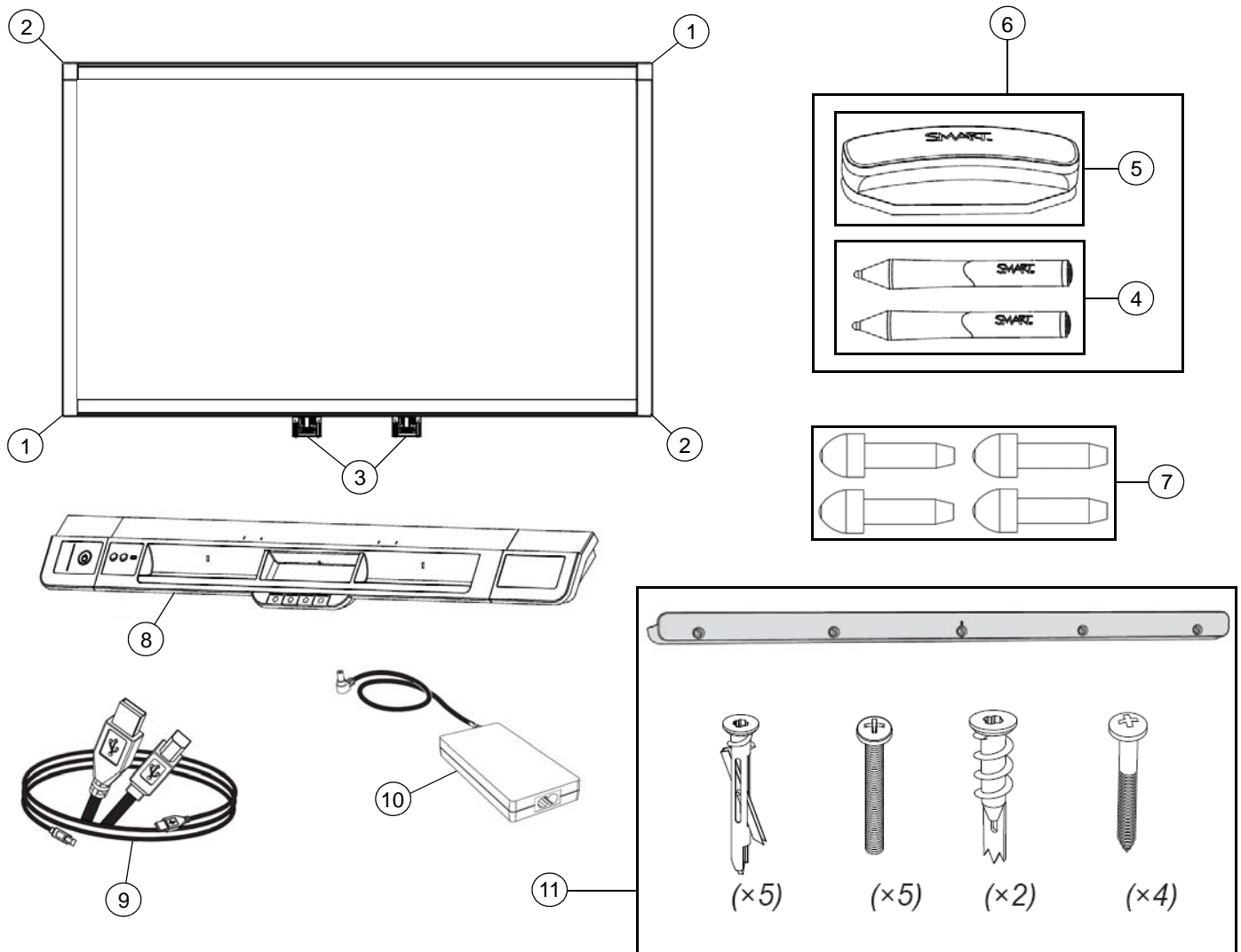


Item	Part No.	Qty	Description
1	FRU-MODULE-ECP-SBX8	1	FRU, extended control panel pen tray module, SBX8
2	20-01355-20	1	Assembly, master control panel (MCP), RCA connector pod NOTE: To ensure compatibility this should be ordered with item 3.
3	93-00817-20	1	Cable, triple RCA to triple RCA, 12'2" (3.7 m) NOTE: To ensure compatibility this should be ordered with item 2.
4	1019686	1	Cable, audio, right angle 3.5 mm male to 3.5 mm male, 13'5" (4.1 m)
5	1016373	1	Cable, right angle USB Mini-B to USB B, 6" (15 cm)
6	20-01496-20	1	Assembly, video connector kit for SBX8 series
7	52-00731-20	1	Bracket, support, master control panel (MCP)
8	93-00815-21	1	Cable, harness, master control panel (MCP), 9' 6" (2.9 m)
9	1019857	1	Template, mounting, UF70/UF70w
10	30-00934	2	Screw, No. 8 x 5/16", trim, Phillips, wafer head
11	30-01343-20	2	Screw, No. 4 x 3/8", Phillips, pan head, for plastics
12	93-00807-20	1	Cable, right angle USB Mini-B to USB A, 16' 5" (5.0 m)

Optional SBX8 Series Control Cable (Part No. SBX8-CTRL)



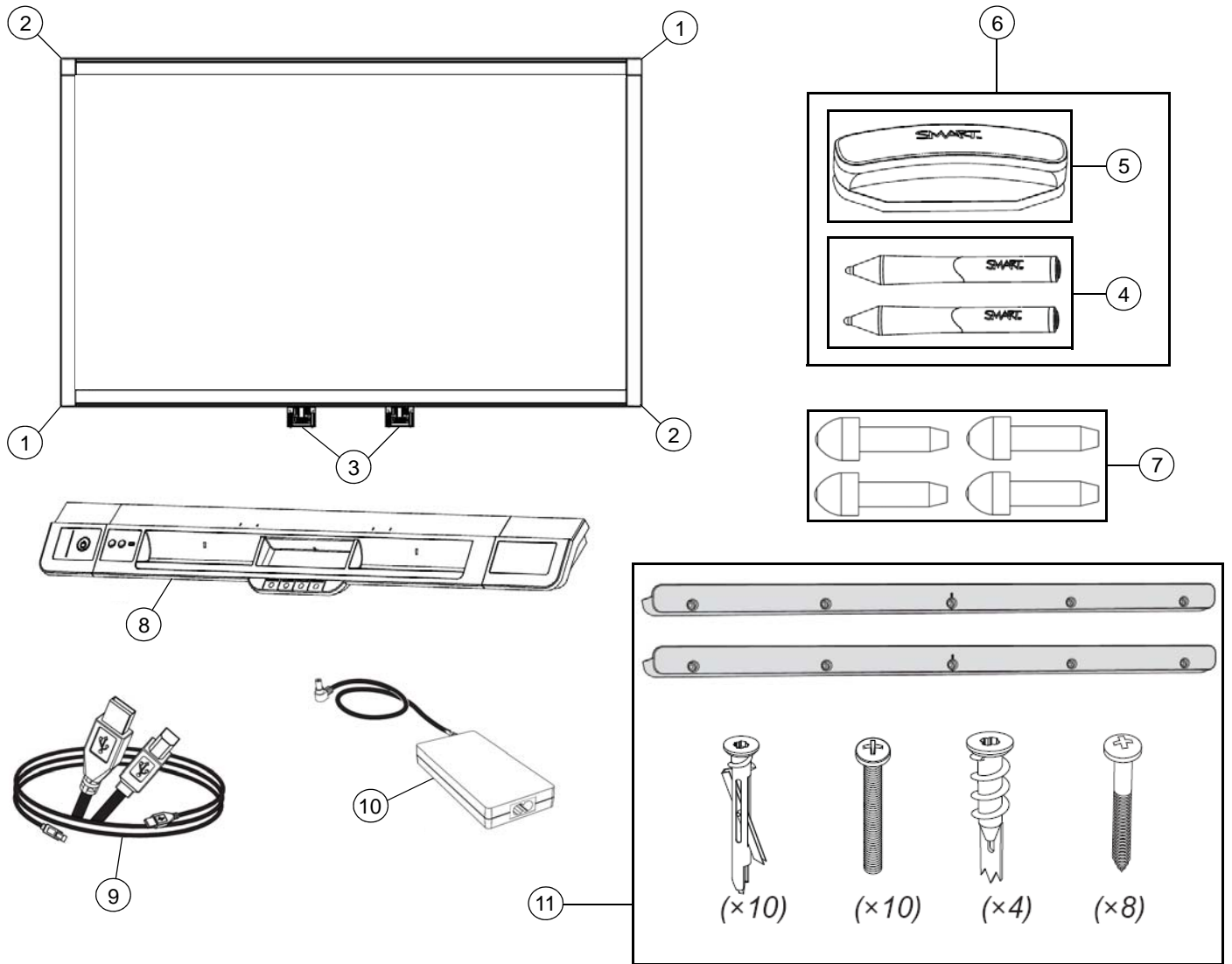
SBX880 Parts



Item	Part No.	Qty	Description
1	FRU-CAM2-SBX880-A	2	FRU, camera A, revision 2, SBX880, position 0 and 2
2	FRU-CAM2-SBX880-B	2	FRU, camera B, revision 2, SBX880, position 1 and 3
3	51-00817-20	2	Bracket, mounting, pen tray
4	RPEN-SBX8	1	Replacement Pens for SMART Board X800 Series for Education - Set of Two NOTE: These pens are designed for education users and are wider and lighter than the business pens. The education pens can be identified by a flat plastic end cap.
5	RERASER-SBX8	1	Replacement Eraser for SMART Board X800 Series
6	RPEN-ER-SBX8	1	Replacement Pens and Eraser for SMART Board X800 Series for Education - Set of Two Pens NOTE: This kit contains the education version of the pens which are wider and lighter than the business pens. The education pens can be identified by a flat plastic end cap.
7	FRU-NIB-SBX8	1	Replacement Nibs for SBX8 Pen - Set of Four
8	FRU-PT14-2	1	FRU, pen tray, PT14, revision 2
9	93-00828-20	1	Cable, USB, A-B, 16' (5.0 m), SBX8

10	1013652	1	Power supply, 5V DC, 2A, universal switching NOTE: Is included with the SB880i6 but is not required as the SMART Board receives power via the projector.
11	FRU-SBX8WM	1	FRU, SBX8, wall mounting kit
Not shown	52-00683-20	1	Bracket, backboard hanger NOTE: Comes attached to the back of the SMART Board.
Not shown	52-00669-21	2	Cover, back, camera, position 0 and 2
Not shown	52-00668-21	2	Cover, back, camera, position 1 and 3
Not shown	1013718	1	Cable, harness, pen tray to cameras, SBX880 NOTE: Connects camera 0, 1, 2, and 3 to the pen tray.
Not shown	FRU-PKG-SBX880	1	FRU, packaging, SBX880 SMART Board Interactive Whiteboard

SBX885 Parts



Item	Part No.	Qty	Description
1	FRU-CAM2-SBX885-A	2	FRU, camera A, revision 2, SBX885, position 0 and 2
2	FRU-CAM2-SBX885-B	2	FRU, camera B, revision 2, SBX885, position 1 and 3
3	51-00817-20	2	Bracket, mounting, pen tray
4	RPEN-SBX8	1	Replacement Pens for SMART Board X800 Series for Education - Set of Two NOTE: These pens are designed for education users and are wider and lighter than the business pens. The education pens can be identified by a flat plastic end cap.
5	RERASER-SBX8	1	Replacement Eraser for SMART Board X800 Series
6	RPEN-ER-SBX8	1	Replacement Pens and Eraser for SMART Board X800 Series for Education - Set of Two Pens NOTE: This kit contains the education version of the pens which are wider and lighter than the business pens. The education pens can be identified by a flat plastic end cap.
7	FRU-NIB-SBX8	1	Replacement Nibs for SBX8 Pen - Set of Four
8	FRU-PT14-2	1	FRU, pen tray, PT14, revision 2

9	93-00828-20	1	Cable, USB, A-B, 16' (5.0 m), SBX8
10	1013652	1	Power supply, 5V DC, 2A, universal switching NOTE: Is included with the SB885i6 but is not required as the SMART Board receives power via the projector.
11	FRU-SBX8WM	2	FRU, SBX8, wall mounting kit
Not shown	52-00683-20	2	Bracket, backboard hanger NOTE: Comes attached to the back of the SMART Board.
Not shown	52-00669-21	2	Cover, back, camera, position 0 and 2
Not shown	52-00668-21	2	Cover, back, camera, position 1 and 3
Not shown	1013719	1	Cable, harness, pen tray to cameras, SBX885 NOTE: Connects camera 0, 1, 2, and 3 to the pen tray.
Not shown	FRU-PKG-SBX885	1	FRU, packaging, SBX885 SMART Board Interactive Whiteboard