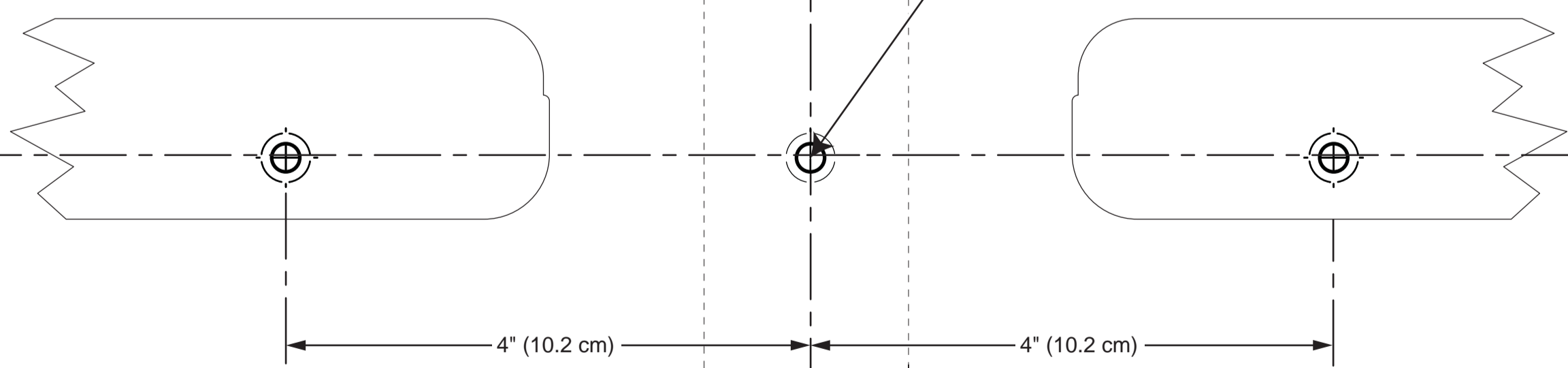
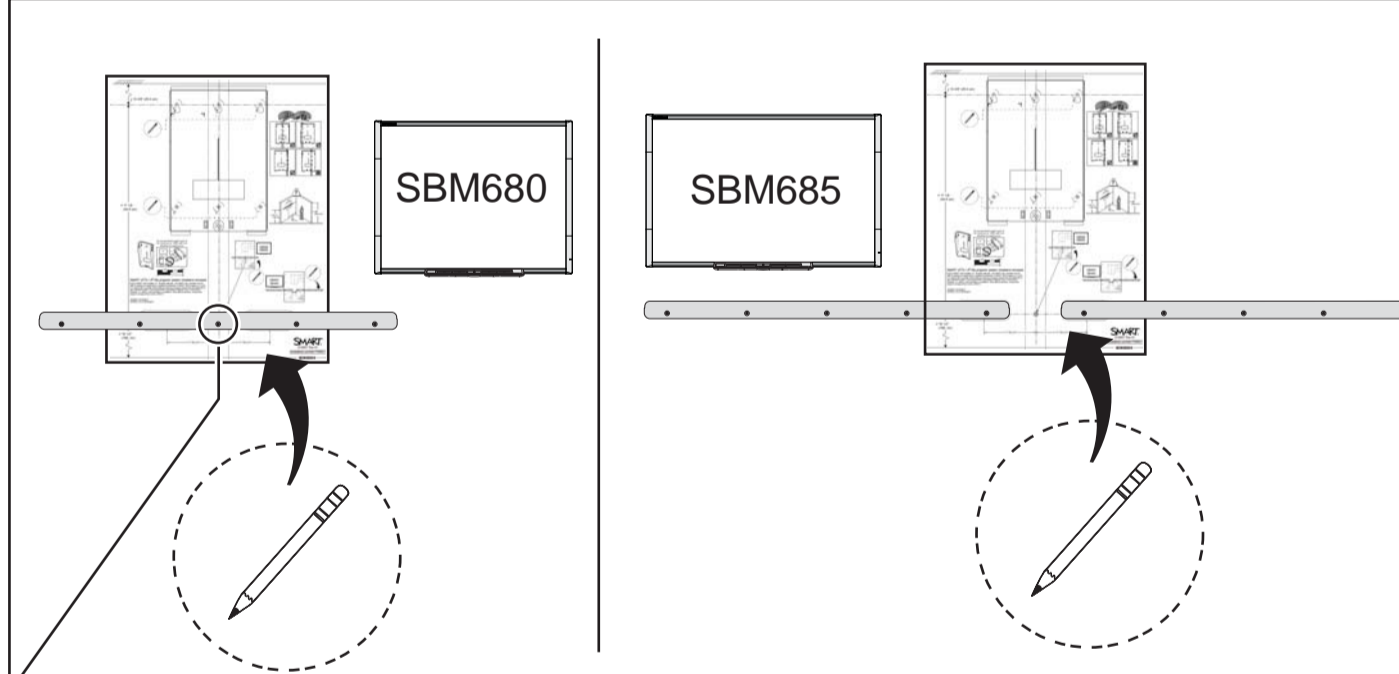
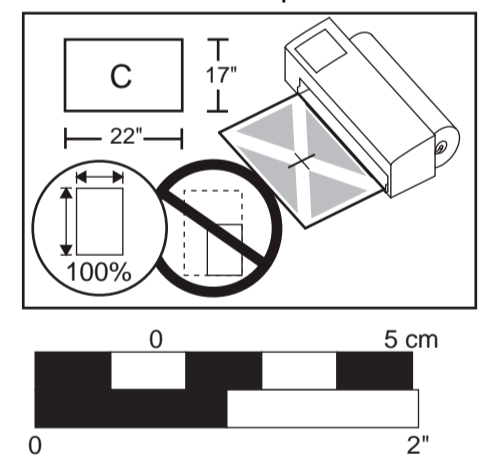


You are permitted to make copies of this document at 100% scale and distribute the copies for use.



**SMART Board M600i6 interactive whiteboard system installation template**

© 2013 SMART Technologies ULC. All rights reserved. The SMART logo, smarttech and all SMART taglines are trademarks or registered trademarks of SMART Technologies ULC in the U.S. and/or other countries. This product and/or use thereof covered by one or more of the following U.S. patents. www.smarttech.com/patents. Other patents pending. Contents are subject to change without notice. 08/2013.

smarttech.com/support  
smarttech.com/contactsupport



1022201 Rev 02

smarttech.com\kb\170562

