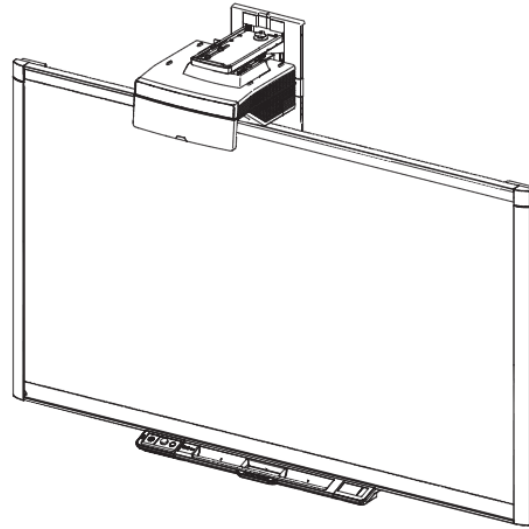


SMART[®]



Service Parts Diagrams

**For Model:
SB885ix2-SMP**

**Applies only to models with serial numbers that are within
the following range:**

SBB885-H2/M2-B000001 to SBB885-H2/M2-B999999

Service Parts Diagrams Revision History

Revision 1 - April, 2013

- New document

Revision 2 - October, 2013

- Change SMP-UpK to GW-MPPE

Revision 3 - November, 2013

- Change 20-01623-20 to 1013576

Standard Warranty Terms

The projector and ECP have a three-year limited equipment warranty. The UX80 projector lamp has a 1000 hour/one year warranty. Your interactive whiteboard has a two-year limited equipment warranty or a five-year limited equipment warranty upon registration.

First Customer Ship: May, 2013

SMART Technologies

3636 Research Road NW

Calgary, AB T2L 1Y1

CANADA

Support +1.403.228.5940 or Toll Free 1.866.518.6791 (Canada/U.S.)

Support Fax +1.403.806.1256

www.smarttech.com/contactserviceparts www.smarttech.com

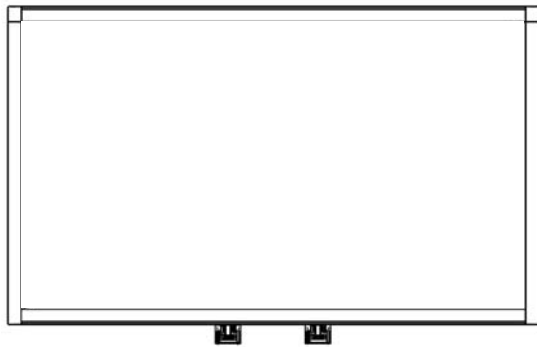
The SMART logo consists of the word "SMART" in a bold, stylized, sans-serif font. The letters are black with a white outline, and a registered trademark symbol (®) is located at the bottom right of the letter "T".

Service Parts Diagrams for the SB885ix2-SMP

- Identifying Your Product Using the Serial Number 1
- Ordering Parts 1
- UX80 Parts 2
- Optional Mounting Hardware Kit Assembly (Part No. 1013576) 4
- SB885 Parts 5

Identifying Your Product Using the Serial Number

To make sure that you have the correct service parts diagrams, you must verify the serial number of your SMART Board 800 series interactive whiteboard. The SMART Board serial number will be located on the side of the right hand bezel. When mounted, the projector serial number will be visible on the top of the projector or it is also located behind the input/output panel cover. An example of the serial number format is shown below.

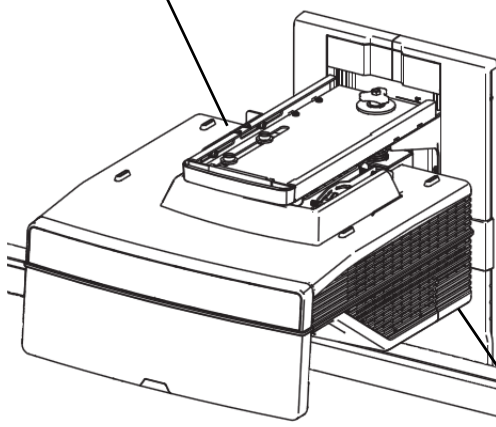


Unique Serial Number

SBB885-H2/M2-B123456

SMART Board Serial Number Location

Projector Serial Number Location



B011EL13M0132

Unique Projector Serial Number

Projector Serial Number Location
(will be visible with the input/output cover removed)

Ordering Parts

Customers

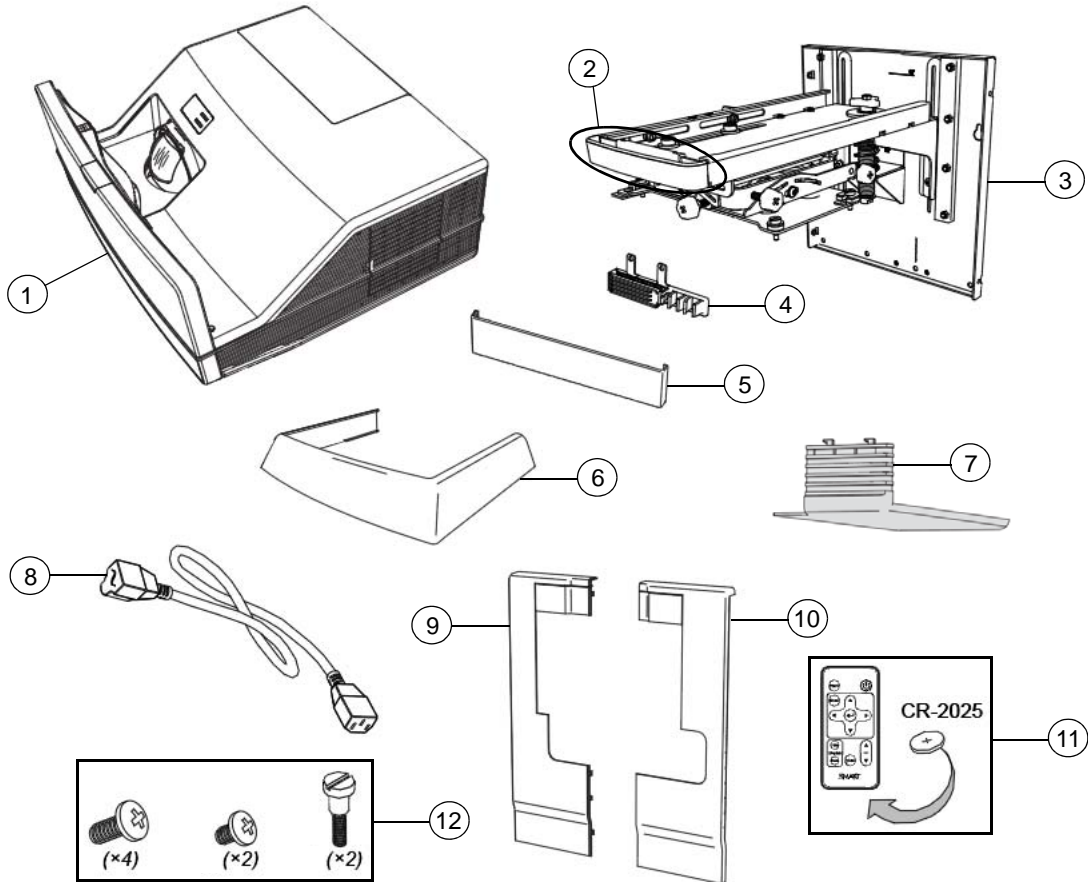
To order any of the parts in these service parts diagrams, contact your local reseller. To find a reseller near you, visit www.smarttech.com/where.

Dealers and Distributors

For specific technical and pricing enquiries in regards to these diagrams please contact our service parts department. Pricing is also available on-line via the SOURCE website (source.smarttech.com).

Web Form: www.smarttech.com/contactserviceparts
Phone: 1.888.42.SMART
International: +1.403.245.0333

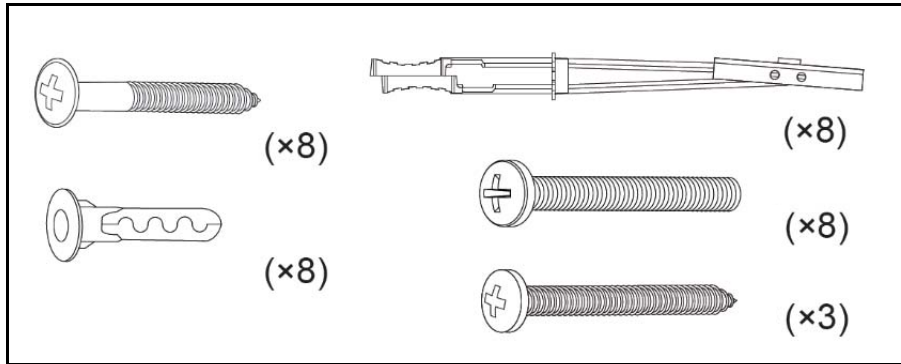
UX80 Parts



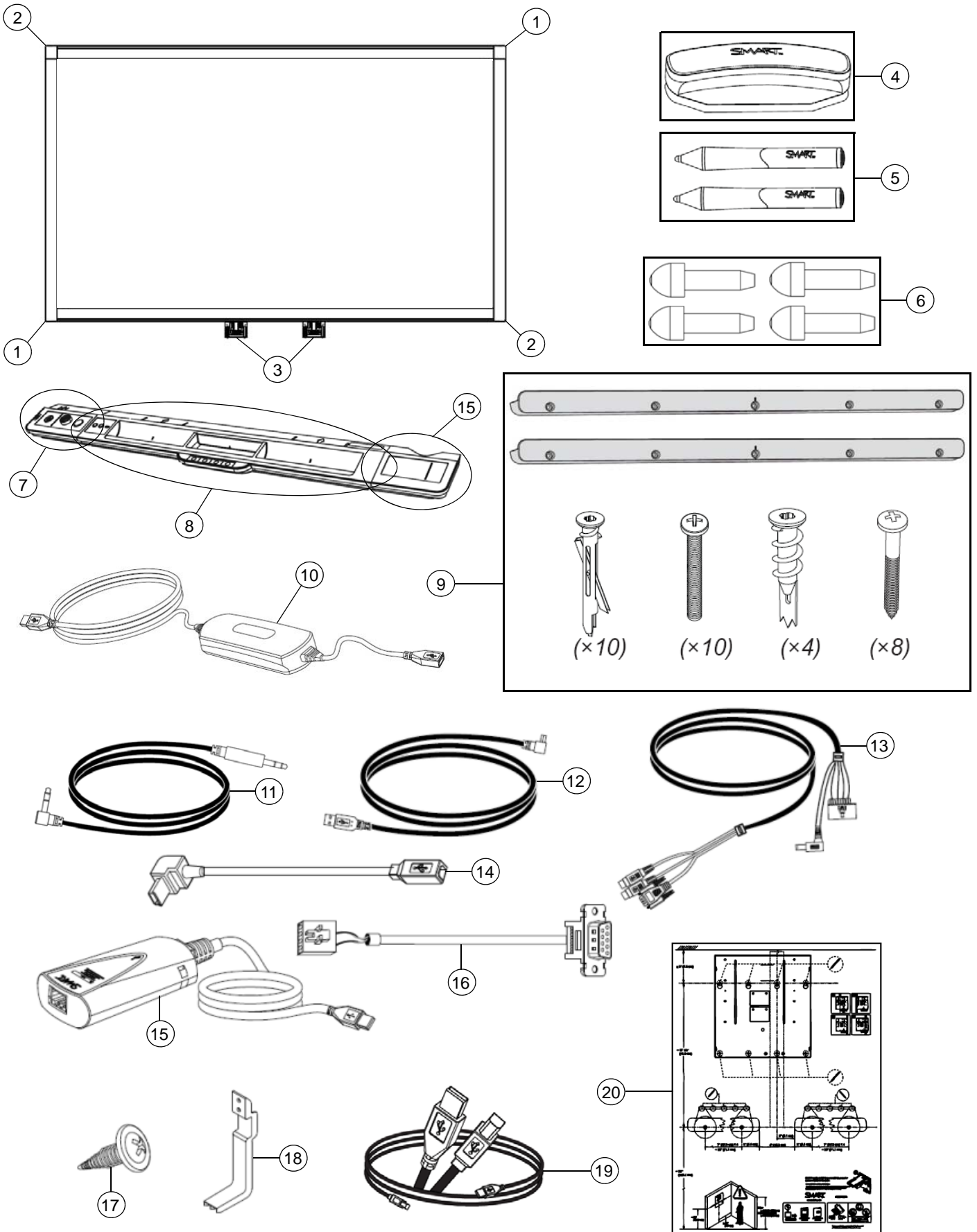
Item	Part No.	Qty	Description
1	FRU-UX80-PJR	1	FRU, UX80 projector only
2	1017516	1	Cap, cosmetic, boom
3	1016782	1	Assembly, adjustment module, WXGA NOTE: Includes adjustment module and item 2.
4	52-00651-20	1	Clip, wire management, wall plate
5	1017166	1	Cover, cable
6	1017682	1	Cover, adjustment module
7	1020038	1	Cover, input/output panel, projector NOTE: Comes attached to the projector.
8	93-00630-20	1	Cable, power, North America, 14' 9" (4.5 m)
8	93-00632-20	1	Cable, power, United Kingdom, 14' 9" (4.5 m)
8	93-00631-20	1	Cable, power, Europe, 14' 9" (4.5 m)
8	93-00629-20	1	Cable, power, Australia, 14' 9" (4.5 m)
8	93-00634-20	1	Cable, power, Japan, 14' 9" (4.5 m)
8	93-00633-20	1	Cable, power, China, 14' 9" (4.5 m)
8	93-00670-20	1	Cable, power, Korea, 14' 9" (4.5 m)

9	1017164	1	Cover, wall plate, left
10	1017163	1	Cover, wall plate, right
11	03-00131-20	1	Remote control NOTE: CR-2025 battery not included with replacement remotes.
12	1018395	1	Assembly, hardware kit
Not shown	1019270	1	Door, lamp cover, projector, UX80 NOTE: Comes attached to the projector.
Not shown	1018740	1	Replacement Lamp for UX80 Projector

Optional Mounting Hardware Kit Assembly (Part No. 1013576)



SB885 Parts



Item	Part No.	Qty	Description
1	FRU-CAM2-SBX885-A	2	FRU, camera A, revision 2, SBX885, position 0 and 2
2	FRU-CAM2-SBX885-B	2	FRU, camera B, revision 2, SBX885, position 1 and 3
3	51-00817-20	2	Bracket, mounting, pen tray
4	RERASER-SBX8	1	Replacement Eraser for SMART Board X800 Series
5	RPEN-SBX8-MP	1	Replacement Pens for SMART Board X800 Series for Business - Set of Two
6	FRU-NIB-SBX8	1	Replacement Nibs for SBX8 Pen - Set of Four
7	FRU-MODULE-ECP-SBX8	1	FRU, extended control panel pen tray module, SBX8
8	FRU-PT14-2	1	FRU, pen tray, PT14, revision 2 NOTE: FRU-MODULE-ECP-SBX8 and SBX800 CAT5-XT are not included.
9	FRU-SBX8WM	2	FRU, SBX8, wall mounting kit
10	GW-MPPE	1	SMART GoWire auto-launch cable with Meeting Pro Personal Edition
11	1019686	1	Cable, audio, right angle 3.5 mm male to 3.5 mm male, 13'5" (4.1 m)
12	93-00807-20	1	Cable, right angle USB Mini-B to USB A, 16'5" (5.0 m)
13	93-00815-21	1	Cable, harness, master control panel (MCP), 9'6" (2.9 m)
14	1016373	1	Cable, right angle USB Mini-B to USB B, 6" (15 cm)
15	SBX800 CAT5-XT	1	Cat 5 to USB Extender for SMART Board X800 Series Interactive Whiteboard NOTE: Includes pen tray and computer modules.
16	SBX8-CTRL	1	SBX8 Series Control Cable
17	30-00934	2	Screw, No. 8 x 9/16", trim, Phillips, wafer head
18	52-00731-20	1	Bracket, support, master control panel (MCP)
19	93-00828-20	1	Cable, USB, A-B, 16' (5.0 m), SBX8
20	1019679	1	Assembly, documentation, SB800ix2-SMP, systems NOTE: Includes mounting template and installation guide.
Not shown	52-00683-20	2	Bracket, backboard hanger NOTE: Comes attached to the back of the SMART Board.
Not shown	52-00669-21	2	Cover, back, camera, position 0 and 2
Not shown	52-00668-21	2	Cover, back, camera, position 1 and 3
Not shown	1013719	1	Cable, harness, pen tray to cameras, SBX885 NOTE: Connects camera 0, 1, 2, and 3 to the pen tray.
Not shown	FRU-PKG-SBX885	1	FRU, packaging, SBX885 SMART Board Interactive Whiteboard