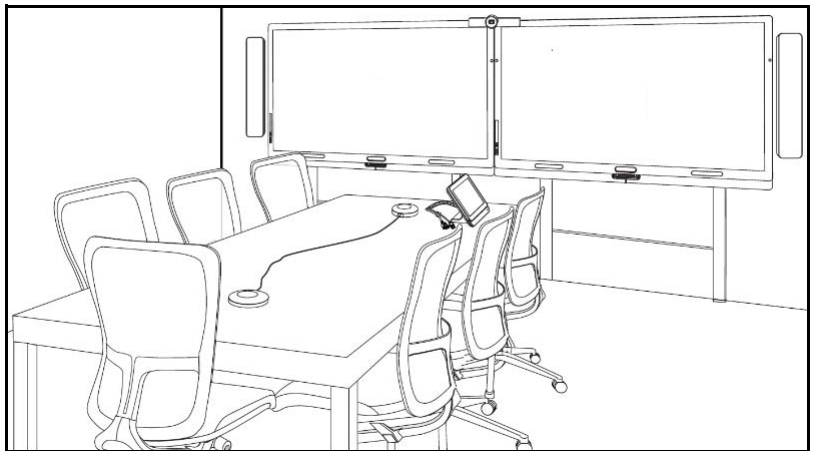


# SMART<sup>®</sup>



## *Service Parts Diagrams*

**For Model:  
SRS-Lync-L**

## Service Parts Diagrams Revision History

### Revision 1 - August, 2013

- New document

### Revision 2 - January, 2014

- Change 93-051 to 1022063
- Add 93-00708-20, 93-00654-20, 1021043, 1020505, 1020504, 1020506, 1021194, 1020230, 1019669, 1020351, 1020352, 1019752, 1019739, 1020353, 1019440, 1022216, 1021347 and 1021406

### Revision 3 - April, 2014

- Add 1018756

### Revision 4 - July, 2014

- Add FRU-SBID-G4-CAM-A and FRU-SBID-G4-CAM-B

### Revision 5 - November, 2014

- Add compatibility notes for FRU-SBID-G4-CSM

## Standard Warranty Terms

Base product: Two-year limited equipment warranty

First Customer Ship: August, 2013

---

### SMART Technologies

3636 – Research Road NW

Calgary, AB T2L 1Y1

CANADA

Support +1.403.228.5940 or Toll Free 1.866.518.6791 (Canada/U.S.)

Support Fax +1.403.806.1256

[www.smarttech.com/contactserviceparts](http://www.smarttech.com/contactserviceparts) [www.smarttech.com](http://www.smarttech.com)

The SMART logo consists of the word "SMART" in a bold, stylized, sans-serif font. The letters are black with a white outline, and a registered trademark symbol (®) is located at the bottom right of the letter "T".

# Service Parts Diagrams for the SRS-Lync-L

---

Identifying Your Product Using the Serial Number .....	1
Ordering Parts .....	1
SBID8070i-G4 Parts .....	2
Assembly, Speakers, CSR500 (Part No. 1017846) .....	4
Assembly, Camera, CAM301 (Part No. 1019674) .....	5
Assembly, Cable and Accessories, SRS-Lync-X (Part No. 1019885) .....	6
Control Panel Parts .....	7
Assembly, Monaural Audio System (Part No. 1018285) .....	8
Wall Mount, SBID8055i and SBID8070i-G4 (Part No. WM-SBID-501)	
NOTE: SRS-Lync-L includes two pieces of WM-SBID-501 .....	9
Optional Wall Stand Kit for Dual Integrated Flat Panels (Part No. WSK-DUAL) .....	10



## Identifying Your Product Using the Serial Number

Each of the major components of your room system has a serial number:

Component	Serial number location
Interactive flat panel	Left underside of the pen ledge <b>NOTES:</b> - When requesting technical support, provide SMART support with the left interactive panel's serial number. - You can also access the interactive flat panel's serial number from the on-screen display menu.
Lync appliance	Wide side of the Lync appliance
Console	Back of the console
Camera	Top of the camera beside the service light
Table microphones	Bottom of each microphone
Audio processor	Narrow side of the audio processor
Speakers	Back of each speaker

## Ordering Parts

### Customers

To order any of the parts in these service parts diagrams, contact your local reseller.

To find a reseller near you, visit [www.smarttech.com/where](http://www.smarttech.com/where).

### Dealers and Distributors

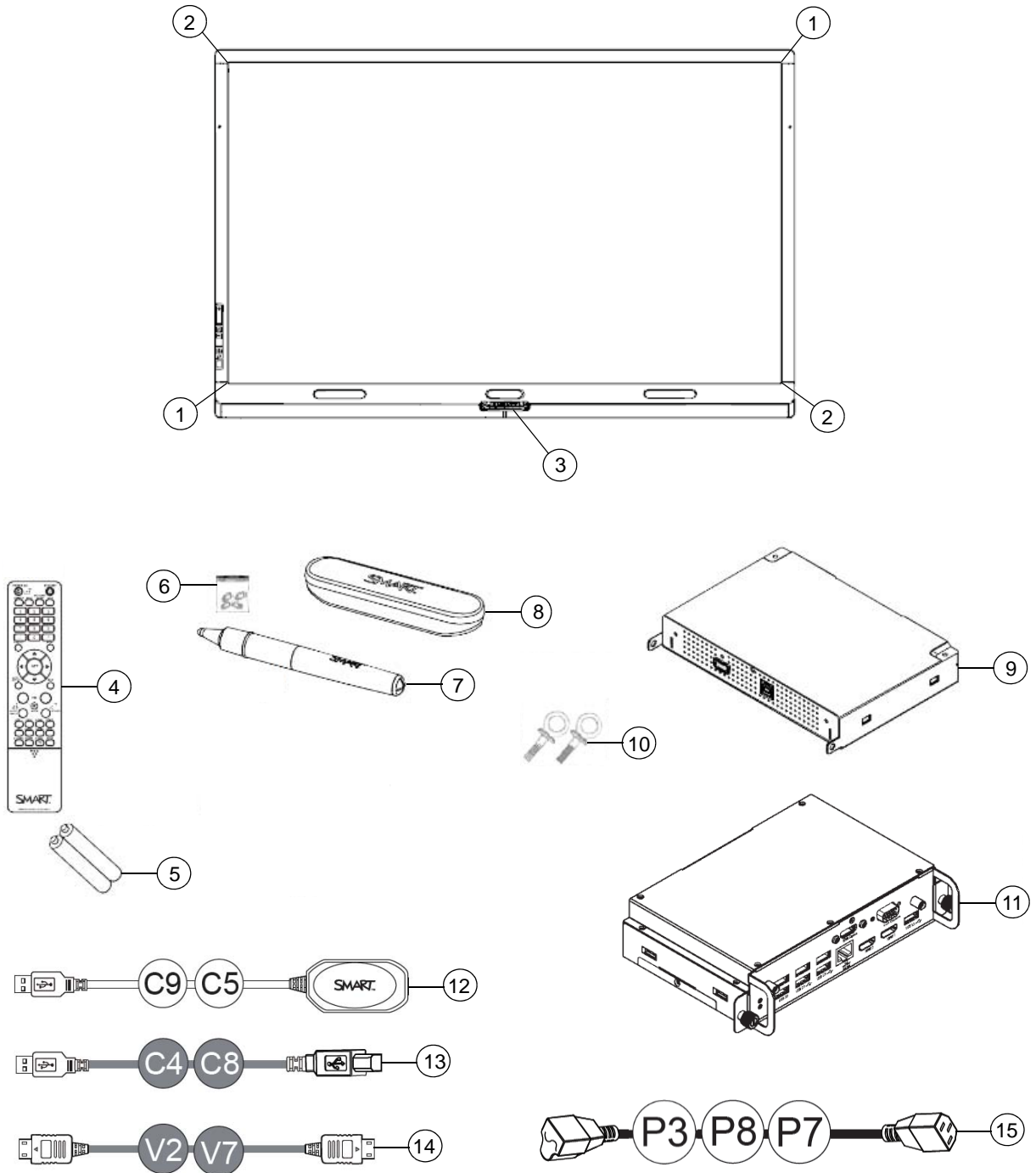
For specific technical and pricing enquiries in regards to these diagrams please contact our service parts department. Pricing is also available on-line via the SOURCE website ([source.smarttech.com](http://source.smarttech.com)).

Web Form: [www.smarttech.com/contactserviceparts](http://www.smarttech.com/contactserviceparts)

Phone: 1.888.42.SMART

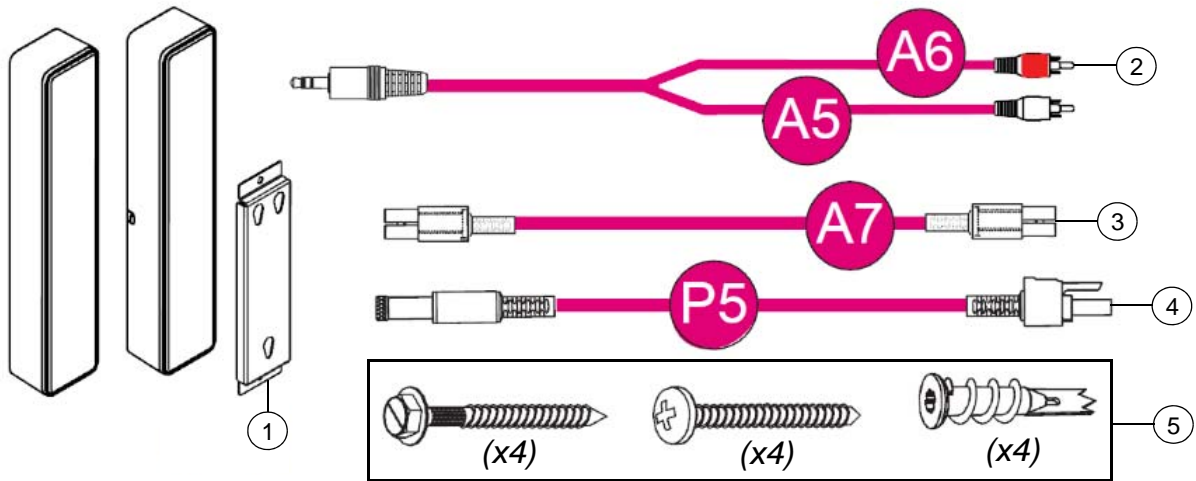
International: +1.403.245.0333

# SBID8070i-G4 Parts



Item	Part No.	Qty	Description
1	FRU-SBID-G4-CAM-A	4	FRU, Camera A, SBID-G4, Position 0 and 2
2	FRU-SBID-G4-CAM-B	4	FRU, Camera B, SBID-G4, Position 1 and 3
3	FRU-SBID-G4-CSM	1	FRU, Color Select Module (CSM), SBID-G4, Revision 1 <b>NOTE: This is compatible with the following serial number sequences:</b>  <p style="text-align: center;"><b>The fifth character is the letter "G" and the seventh/eighth character is the number "41" or lower (example K012<u>G</u>W41F0001).</b></p> <p style="text-align: center;"><b>OR</b></p> <p style="text-align: center;"><b>The fifth character is the letter "F" or lower in the alphabet (example K012<u>F</u>W01F0001).</b></p>
4	1020371	2	Assembly, remote control, SBID8070i-G4
5	01-00257	4	Battery, AAA
6	FRU-NIB-SBID	2	Replacement Nibs for the SMART Board Interactive Display Pen - Set of Four
7	RPEN-SBID	4	Assembly, stylus <b>NOTE:</b> Includes set of four spare pen nibs.
8	RERASER-SBID	2	Assembly, eraser
9	SBID-G4-XTM	1	FRU, XTM (Slave Panel Interface Board, SPIB), SBID-G4
10	30-01448-20	4	Eye bolt <b>NOTE:</b> Required only when lifting the display.
11	FRU-AM70-L	1	FRU, Computer, AM70-L
12	USB-XT	1	USB active extension cable 16' (5.0 m)
13	1019521	1	Cable, USB, A-B, 4' 3" (1.3 m)
14	1019416	1	Cable, HDMI male to HDMI male, 20' 8" (6.3 m)
15	1022063	2	Cable, power, North America, 8' (2.4 m)
15	93-055	2	Cable, power, United Kingdom, 8' (2.4 m)
15	93-056	2	Cable, power, Australia, 8' (2.4 m)
15	93-054	2	Cable, power, Europe, 8' (2.4 m)
15	93-00708-20	2	Cable, power, China, 8' (2.4 m)
15	93-00654-20	2	Cable, power, Japan, 8' (2.4 m)

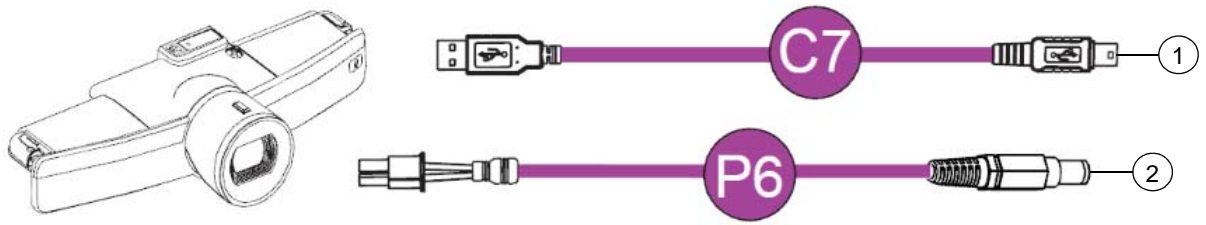
## Assembly, Speakers, CSR500 (Part No. 1017846)



Item	Part No.	Qty	Description
1	1021019	2	Assembly, mounting bracket kit, CSR500
2	1019133	1	Cable, audio, 3.5 mm male to dual RCA male, 1' 7" (50 cm)
3	1019132	1	Cable, audio, left to right speaker, 16' (5.0 m)
4	1019134	1	Cable, power, 1' 7" (50 cm)
5	1021002	1	Assembly, hardware kit, CSR500

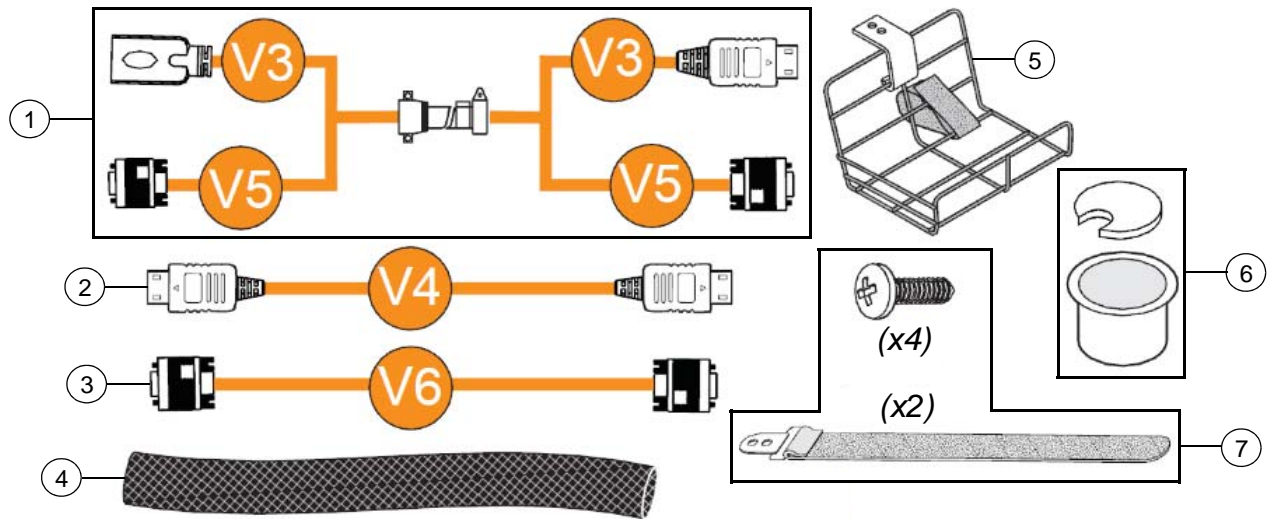


# Assembly, Camera, CAM301 (Part No. 1019674)



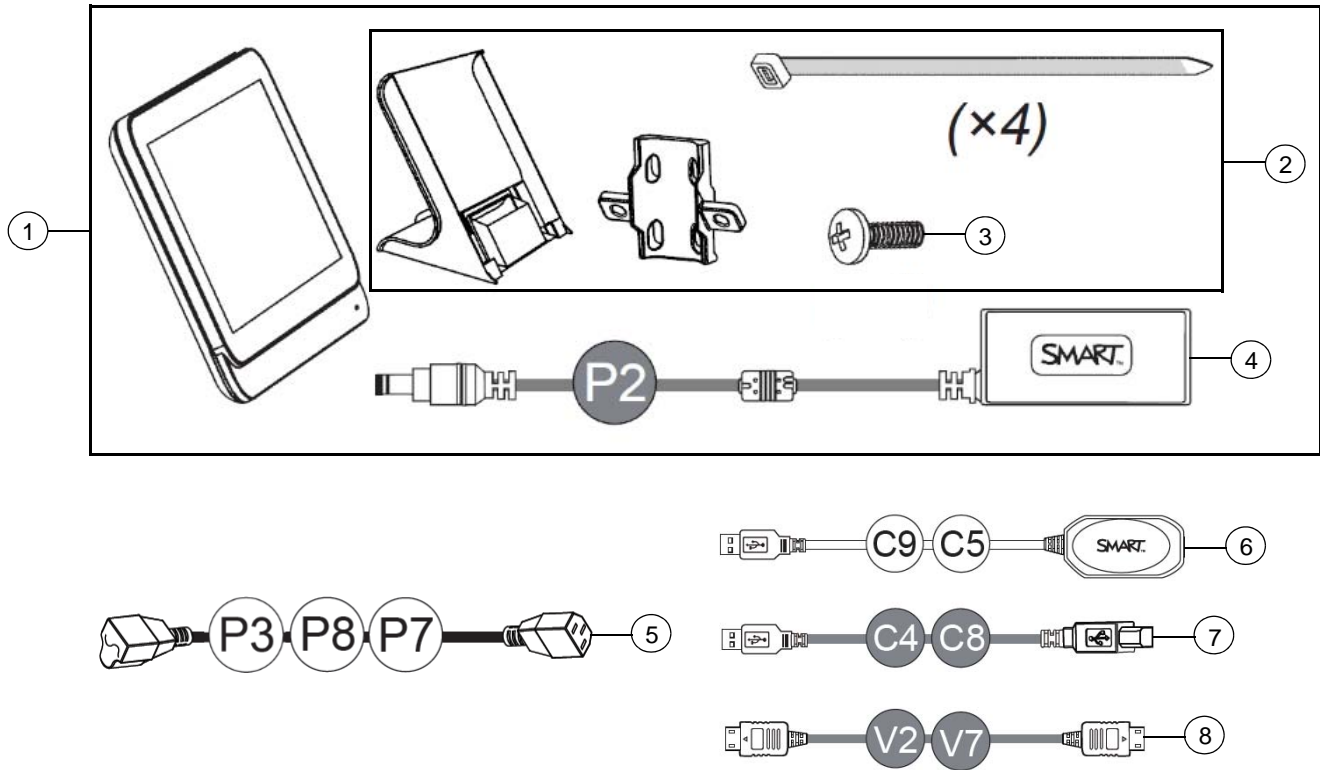
Item	Part No.	Qty	Description
1	1020902	1	Cable, USB A to USB Mini-B, 9' 10" (3.0 m)
2	1020900	1	Cable, power, 4' 7" (1.4 m)

## Assembly, Cable and Accessories, SRS-Lync-X (Part No. 1019885)



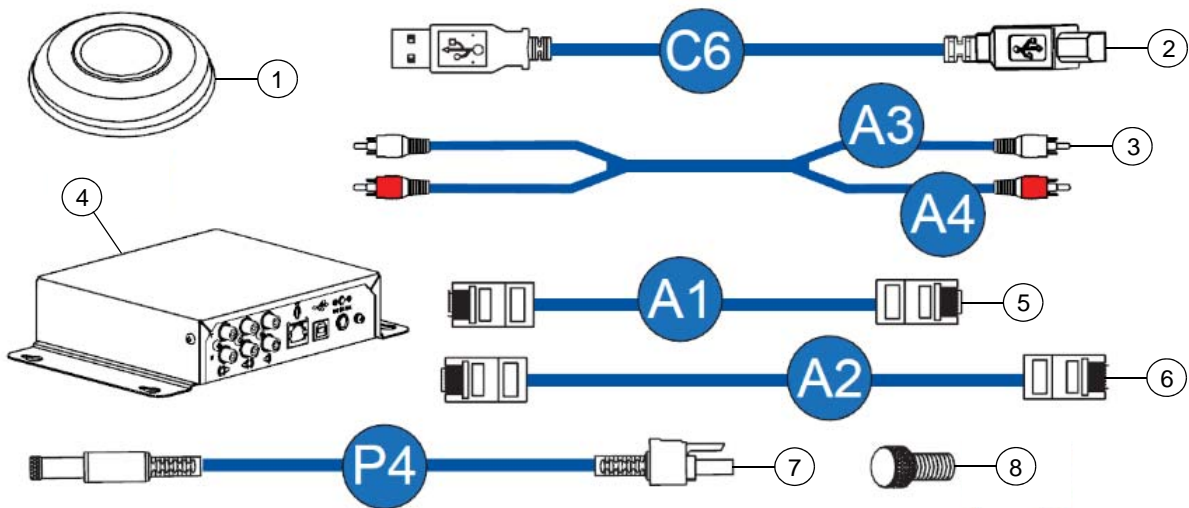
Item	Part No.	Qty	Description
1	1019403	1	Cable, extension, HDMI/HD15 female to HDMI/HD15 male, 9' 10" (3.0 m)
2	1019404	1	Cable, HDMI male to HDMI male, 20' 8" (6.3 m)
3	1019406	1	Cable, video, HD15 male to HD15 male, 20' 8" (6.3 m)
4	1021043	1	Expandable braided sleeve, 1" (2.5 cm) outside diameter, 3' 11" (1.2 m) long, black
5	1020505	1	Assembly, tray, cable, wire
6	1020504	1	Grommet, table
7	1020506	1	Assembly, strap, cable, Velcro, 3/4" (2 cm) x 1' (30.5 cm)

## Control Panel Parts



Item	Part No.	Qty	Description
1	1018288	1	Assembly, control panel, CP311
2	1021194	1	Assembly, FRU, stand, CP311 <b>NOTE:</b> Includes 4 pieces of item 3.
3	1020230	4	Screw, M4 x 8 mm, Phillips, pan head
4	1019669	1	Power supply, 12V DC, 3.33A, universal switching
5	1022063	1	Cable, power, North America, 8' (2.4 m)
5	93-055	1	Cable, power, United Kingdom, 8' (2.4 m)
5	93-056	1	Cable, power, Australia, 8' (2.4 m)
5	93-054	1	Cable, power, Europe, 8' (2.4 m)
5	93-00708-20	1	Cable, power, China, 8' (2.4 m)
5	93-00654-20	1	Cable, power, Japan, 8' (2.4 m)
6	USB-XT	1	USB active extension cable 16' (5.0 m)
7	1019521	1	Cable, USB, A-B, 4' 3" (1.3 m)
8	1019416	1	Cable, HDMI male to HDMI male, 20' 8" (6.3 m)

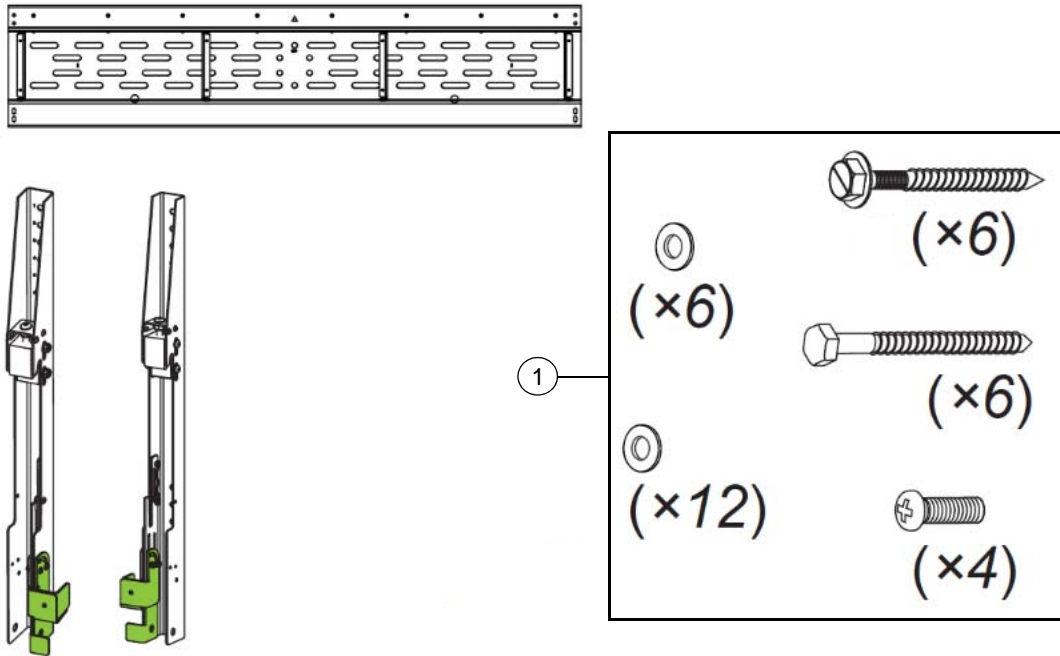
## Assembly, Monaural Audio System (Part No. 1018285)



Item	Part No.	Qty	Description
1	MIC500	2	Microphone for SMART Room System <b>NOTE:</b> Includes item 5.
2	1020351	1	Cable, USB, A-B, 6' (1.8 m)
3	1020352	1	Cable, audio, dual RCA to dual RCA, 6' (1.8 m)
4	1018756	1	Assembly, FRU, Processor, Monaural Audio, MIX500
5	1019752	1	Cable, RJ45 to RJ45, 13' 1" (4.0 m)
6	1019739	1	Cable, RJ45 to RJ45, 29' 6" (9.0 m)
7	1020353	1	Cable, power, 1' 7" (50 cm)
8	1019440	4	Screw, thumb, M4 x 5 mm, Phillips

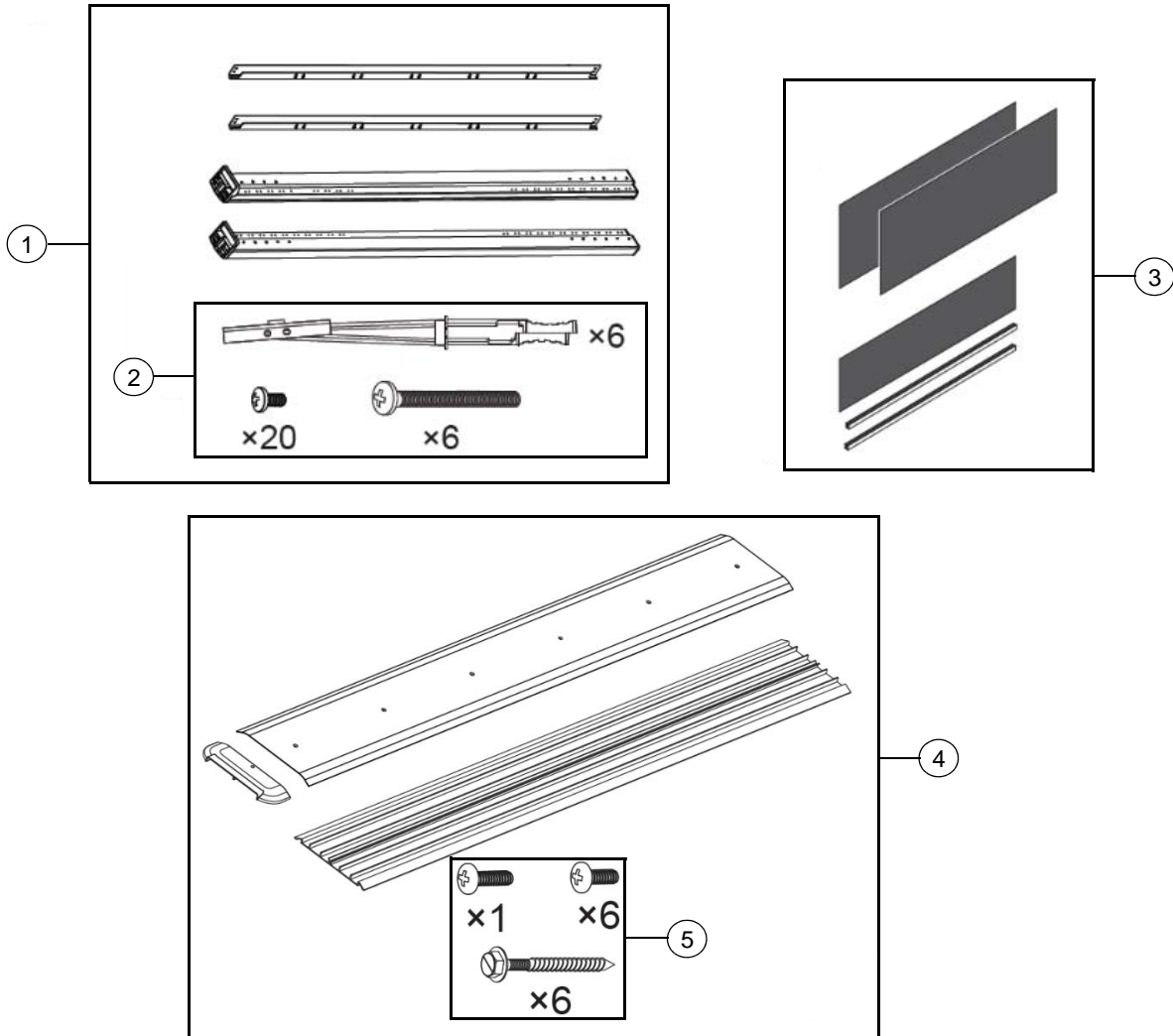
**Wall Mount, SBID8055i and SBID8070i-G4 (Part No. WM-SBID-501)**

**NOTE: SRS-Lync-L includes two pieces of WM-SBID-501**



Item	Part No.	Qty	Description
1	1022216	2	Assembly, hardware, kit, WM-SBID-501/502

## Optional Wall Stand Kit for Dual Integrated Flat Panels (Part No. WSK-DUAL)



Item	Part No.	Qty	Description
1	1020547	2	Assembly, uprights, wall stand <b>NOTE:</b> Includes item 2.
2	1021347	2	Assembly, hardware, kit, WS-SBID-500
3	1020546	2	Assembly, panel, wall stand
4	1018900	1	Assembly, cable raceway, RW-500 <b>NOTE:</b> Includes item 5.
5	1021406	1	Assembly, hardware, kit, RW-500