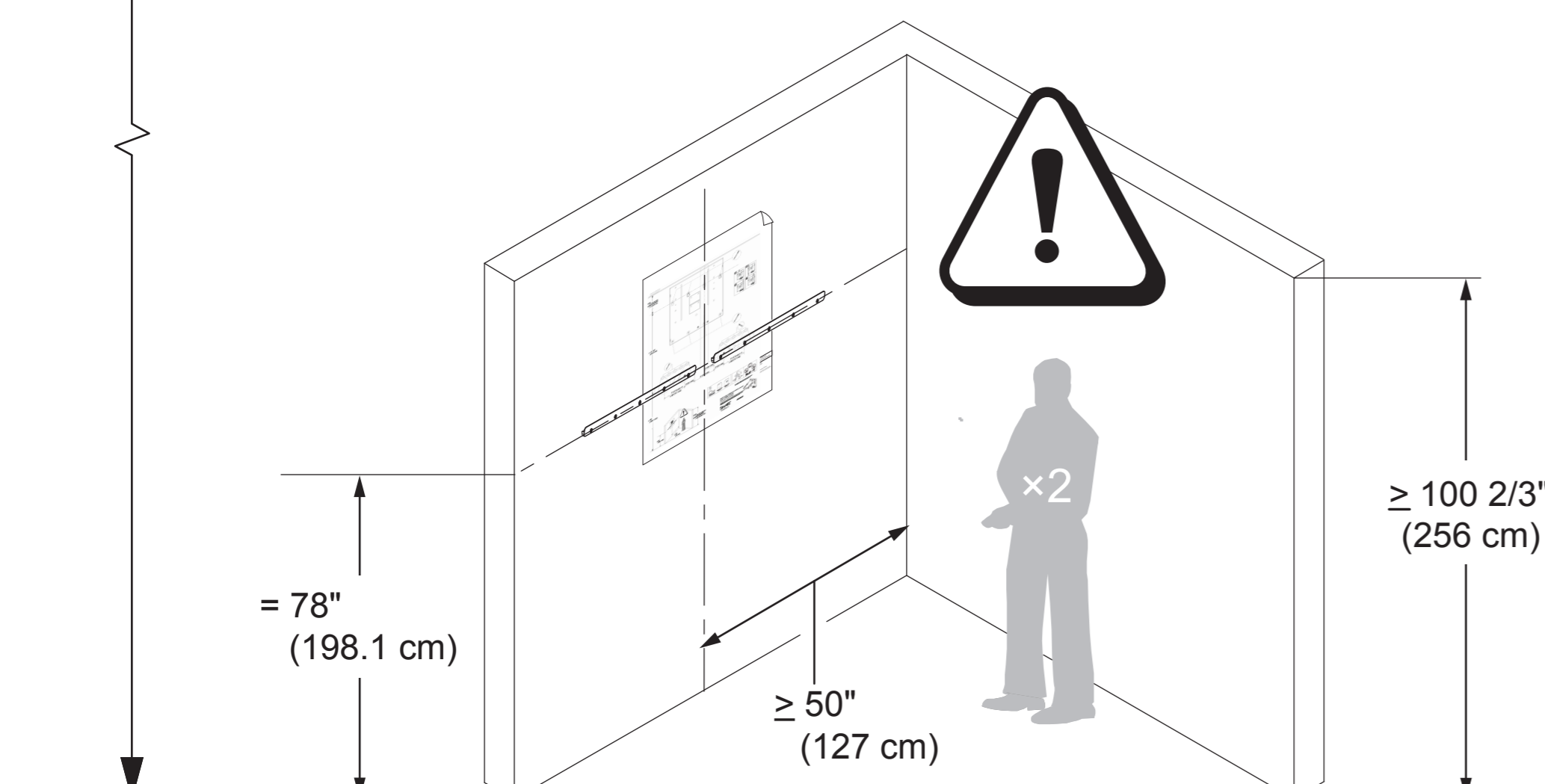
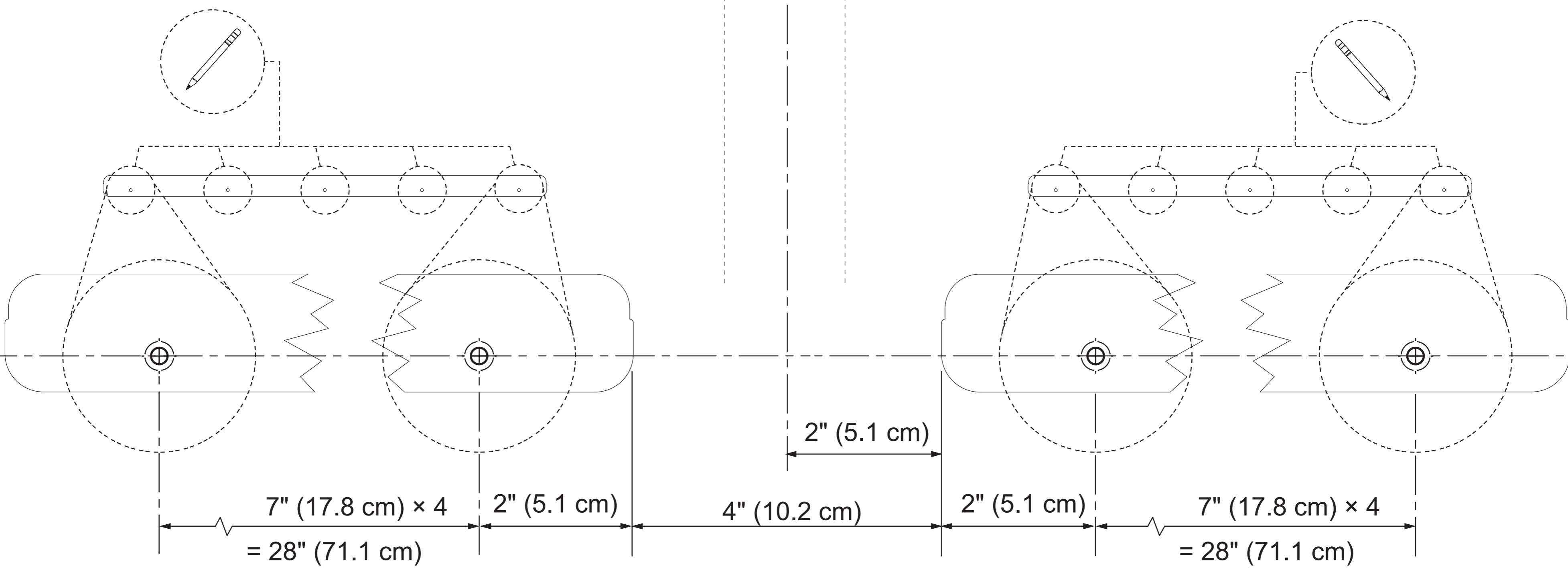
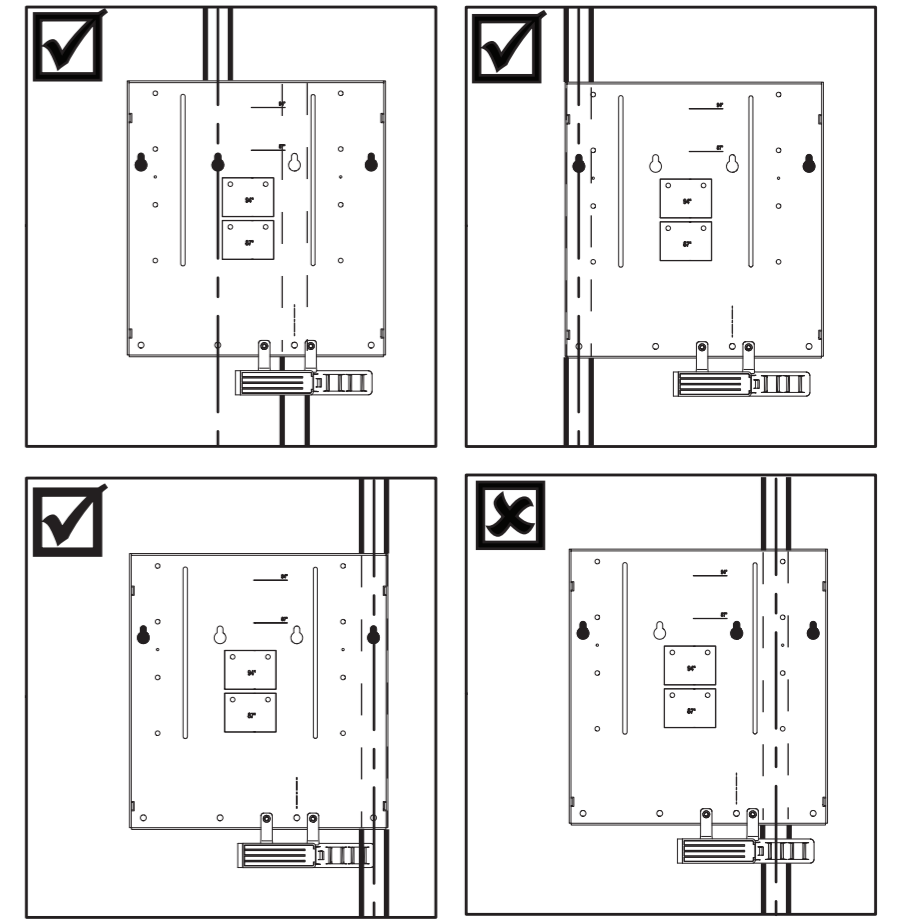
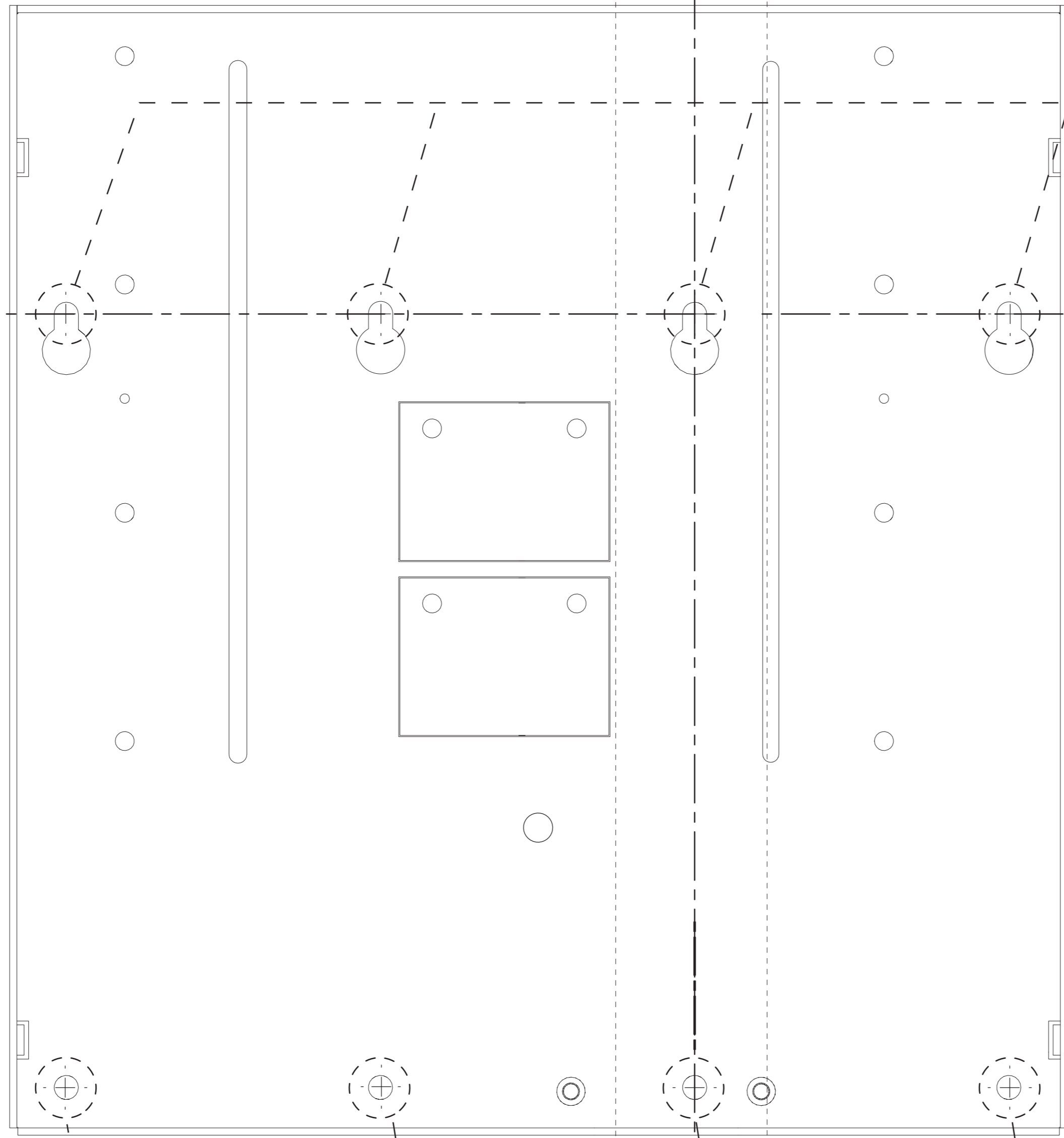


≥ 5 1/2" (14 cm)

= 17 1/8" (43.5 cm)

= 78" (198.1 cm)



	SB800i x2	SB600i x2
	smarttech.com/kb/170341	smarttech.com/kb/170340
	smarttech.com/kb/170472	smarttech.com/kb/170474

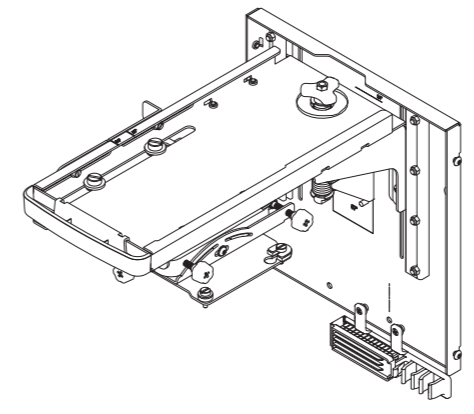
A1 59.4 cm	0 5 cm 0 2"
84.1 cm	

You are permitted to make copies of this document at 100% scale and distribute the copies for use.

SMART UX80 projector system installation template

© 2012-2013 SMART Technologies ULC. All rights reserved. The SMART logo, smarttech and all SMART taglines are trademarks or registered trademarks of SMART Technologies ULC in the U.S. and/or other countries. All third-party product and company names may be trademarks of their respective owners. This product and/or use thereof covered by one or more of the following U.S. patents. smarttech.com/patents. Other patents pending. Contents are subject to change without notice. 05/2013.

smarttech.com/support
smarttech.com/contactsupport



1018346 Rev 03
smarttech.com/kb/170343

