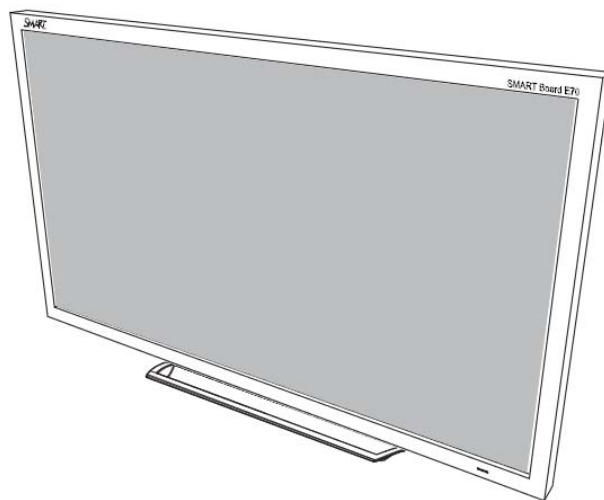


SMART[®]



***Service Parts
Diagrams***

**For Model:
SPNL-4070**

Service Parts Diagrams Revision History

Revision 1 - August, 2013

- New document

Standard Warranty Terms

Base product: Two-year limited equipment warranty

First Customer Ship: September, 2013

SMART Technologies

3636 – Research Road NW

Calgary, AB T2L 1Y1

CANADA

Support +1.403.228.5940 or Toll Free 1.866.518.6791 (Canada/U.S.)

Support Fax +1.403.806.1256

www.smarttech.com/contactserviceparts www.smarttech.com

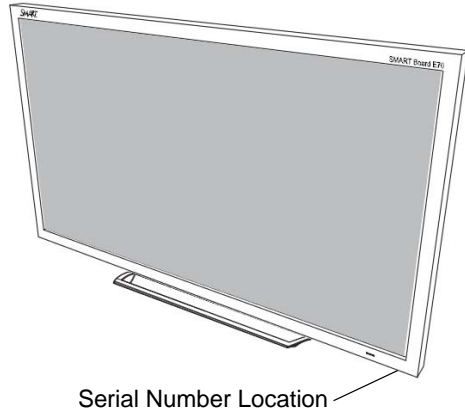


Service Parts Diagrams for the SPNL-4070

Identifying Your Product Using the Serial Number 1
Ordering Parts 1
SPNL-4070 Parts 2

Identifying Your Product Using the Serial Number

To make sure that you have the correct service parts diagrams, you must verify the serial number of your SPNL-4070. The serial number will be located on the right underside of the bottom bezel. An example of the serial number format is shown below.



Unique Serial Number

M102FW28A0057

Ordering Parts

Customers

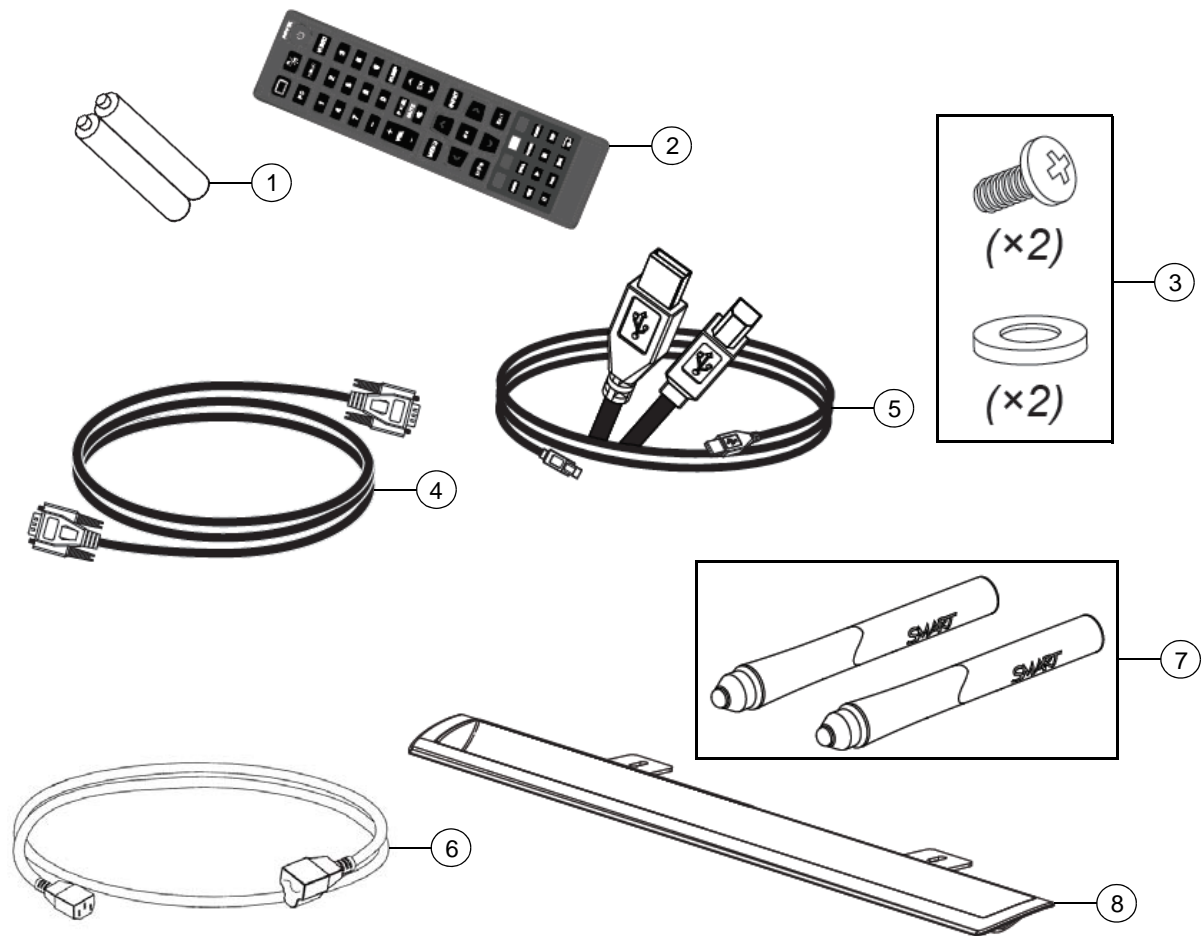
To order any of the parts in these service parts diagrams, contact your local reseller. To find a reseller near you, visit www.smarttech.com/where.

Dealers and Distributors

For specific technical and pricing enquiries in regards to these diagrams please contact our service parts department. Pricing is also available on-line via the SOURCE website (source.smarttech.com).

Web Form: www.smarttech.com/contactserviceparts
Phone: 1.888.42.SMART
International: +1.403.245.0333

SPNL-4070 Parts



Item	Part No.	Qty	Description
1	01-00257	2	Battery, AAA
2	1021284	1	Assembly, remote control, SPNL-4070
3	1021689	1	Hardware kit, pen ledge
4	1018853	1	Cable, video, HD15 male to HD15 male 6' (1.8 m)
5	93-00828-20	1	Cable, USB, A-B, 16' (5.0 m)
6	93-051	1	Cable, power, North America, 8' (2.4 m)
6	93-055	1	Cable, power, United Kingdom, 8' (2.4 m)
6	93-054	1	Cable, power, Europe, 8' (2.4 m)
7	RPEN-SBM6	1	Replacement Pens for SMART Board SBM600 Series and SPNL-4070 - Set of Two
8	1021011	1	Pen ledge