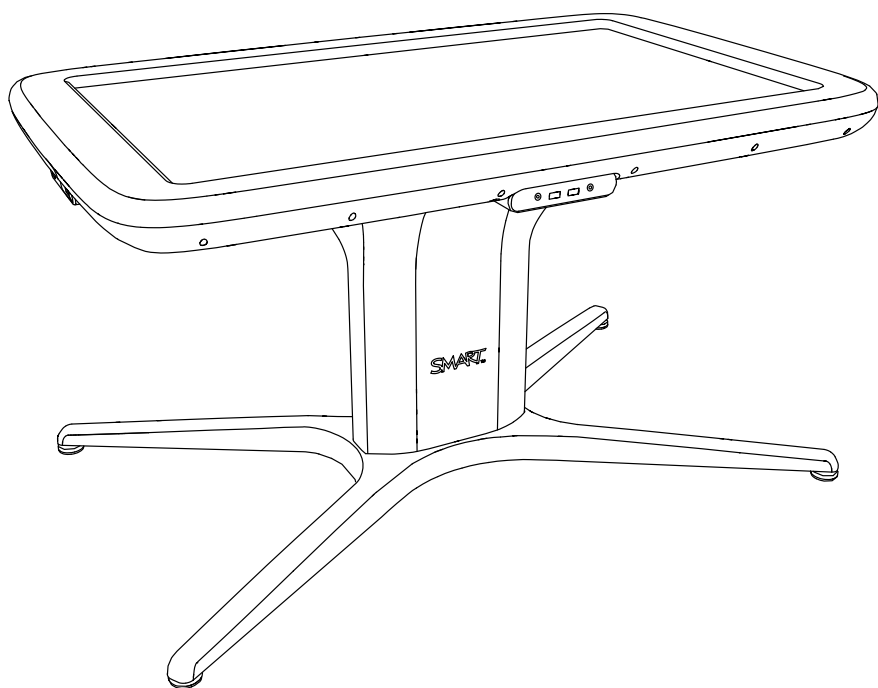


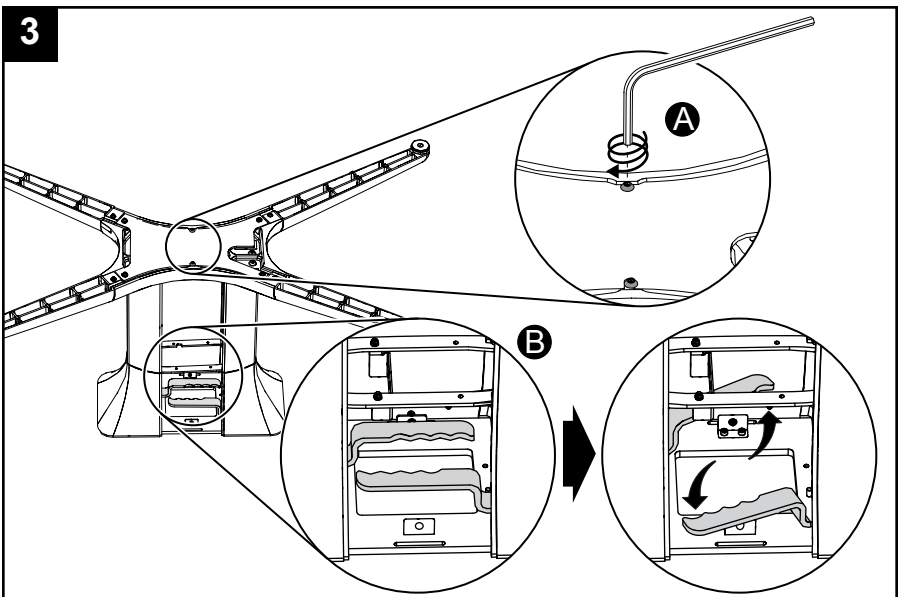
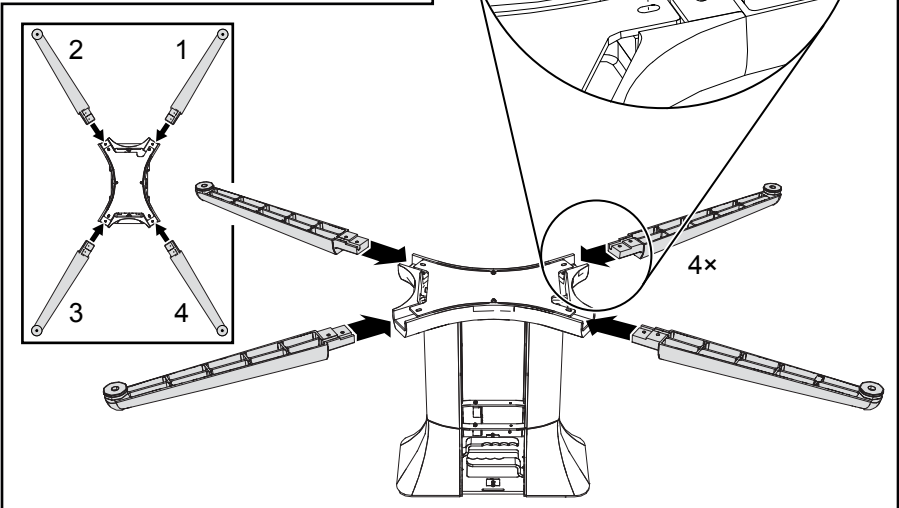
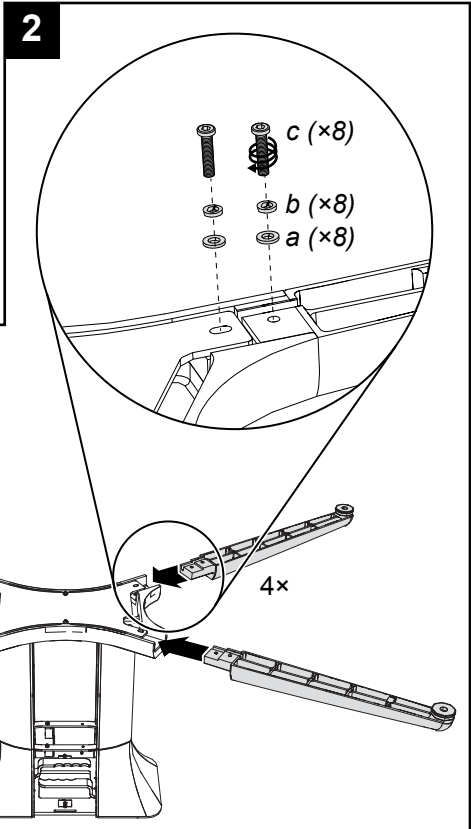
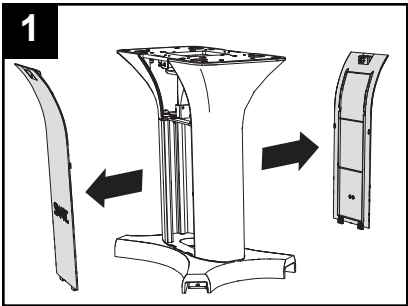
# ST442i



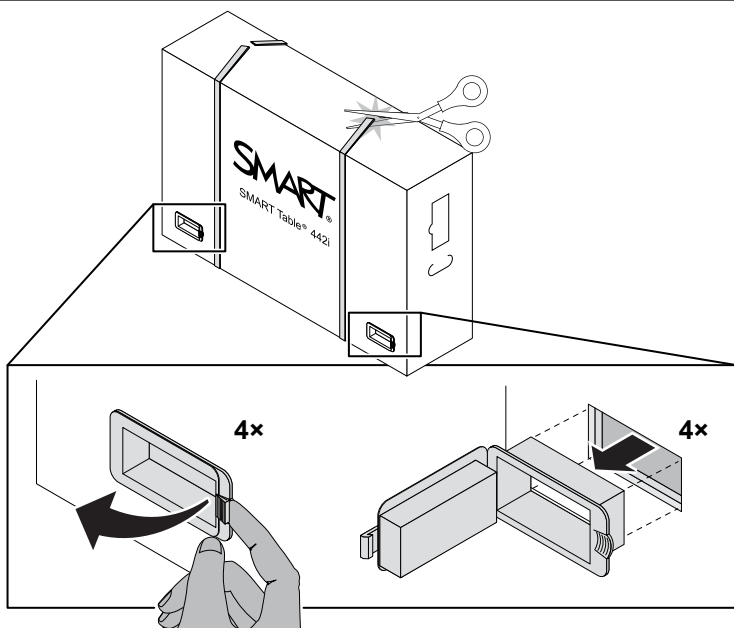
---

**SMART**<sup>®</sup>

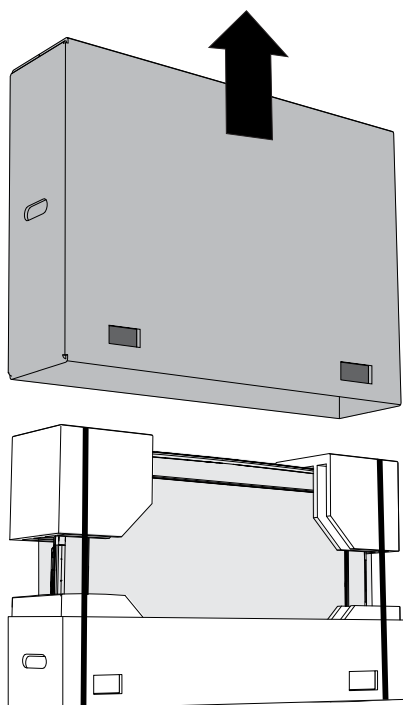


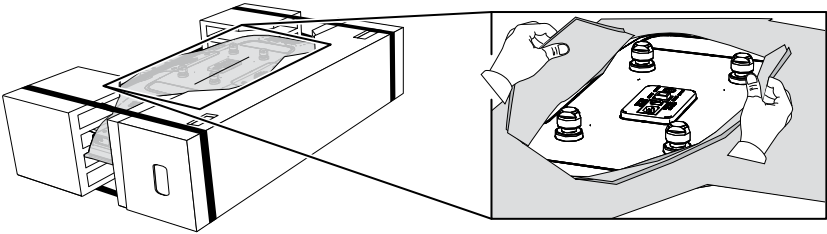
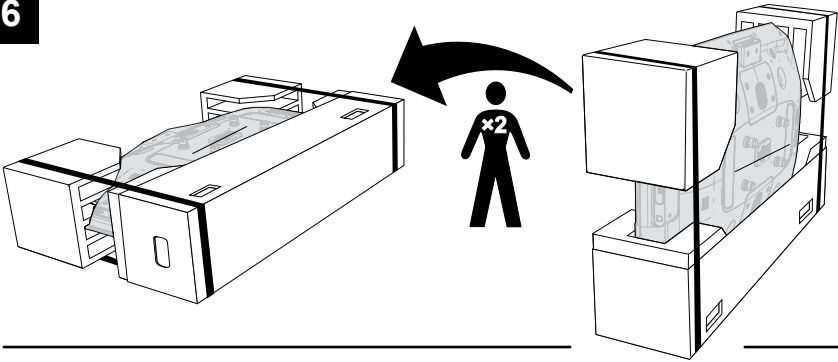
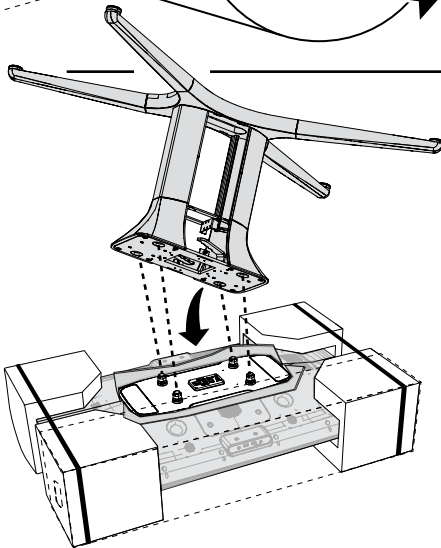
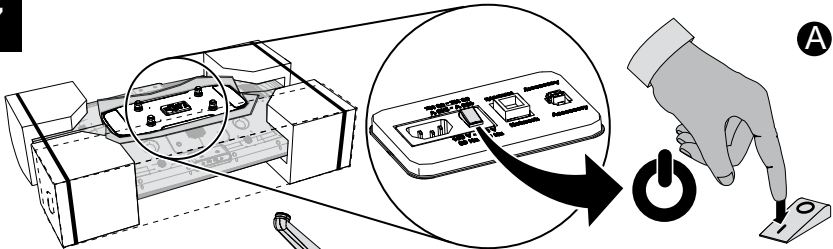


4

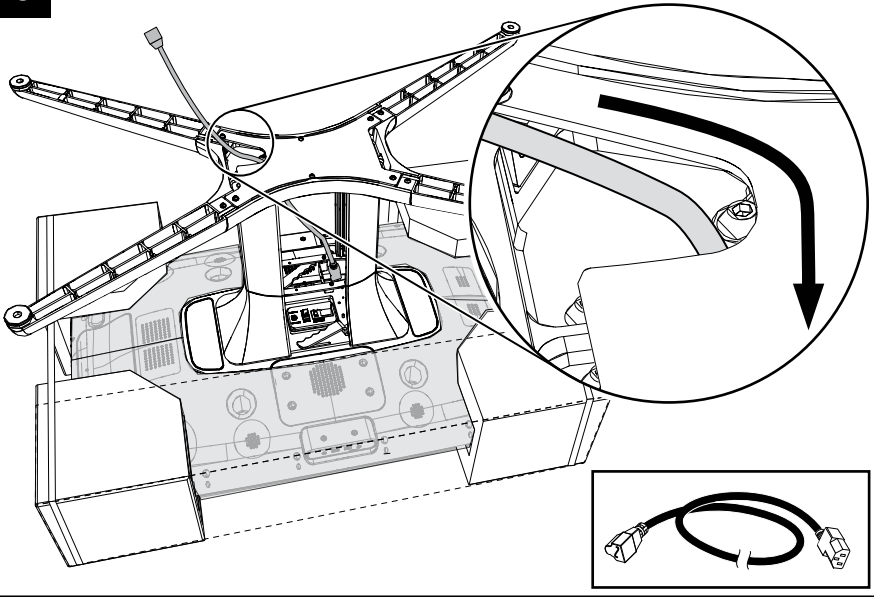


5

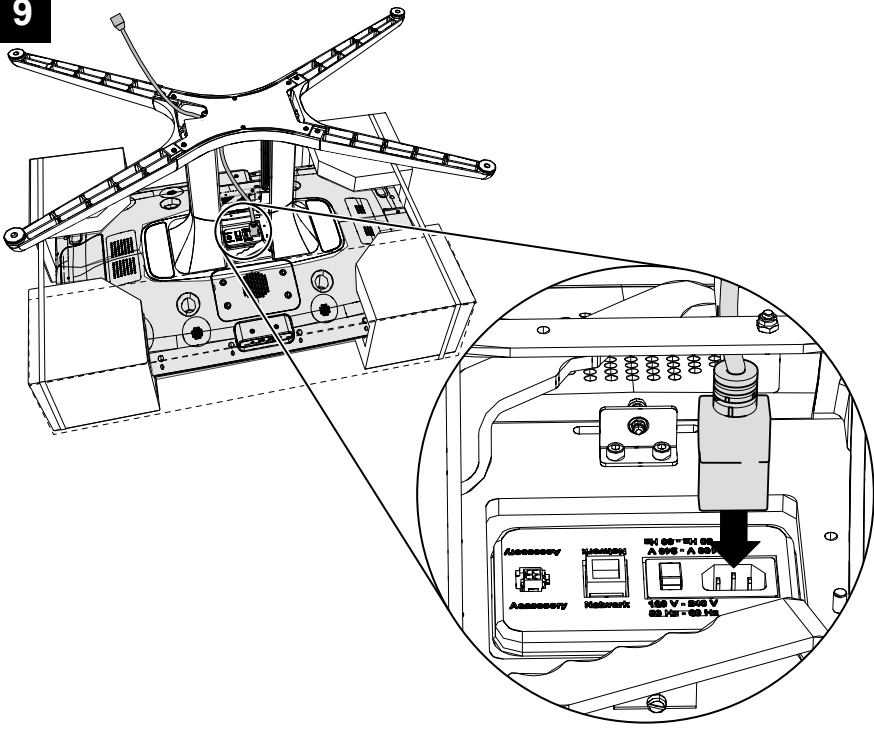


**6****7**

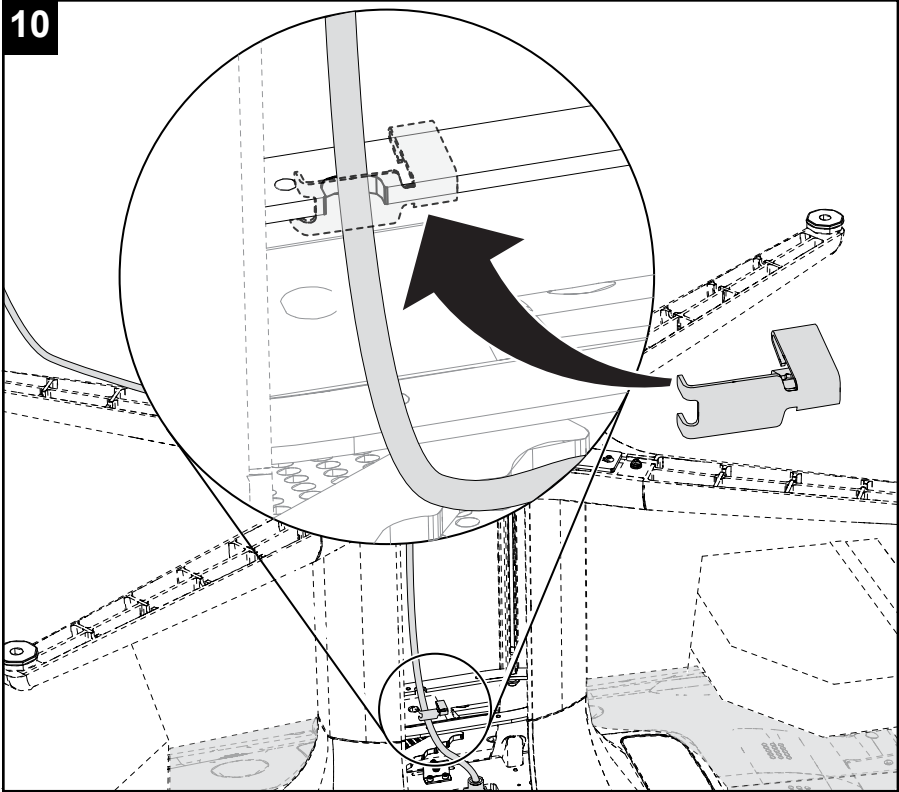
8



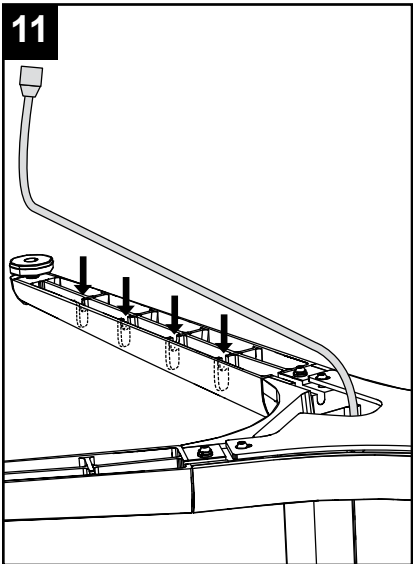
9



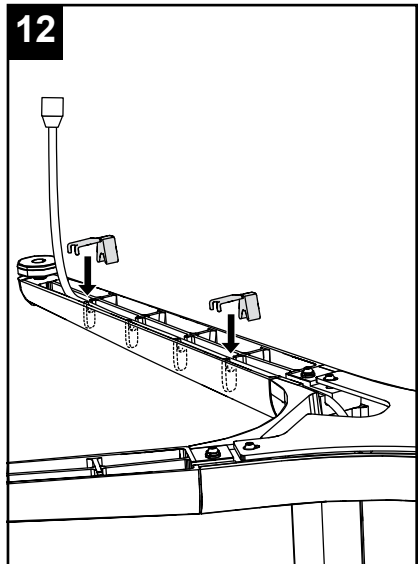
10



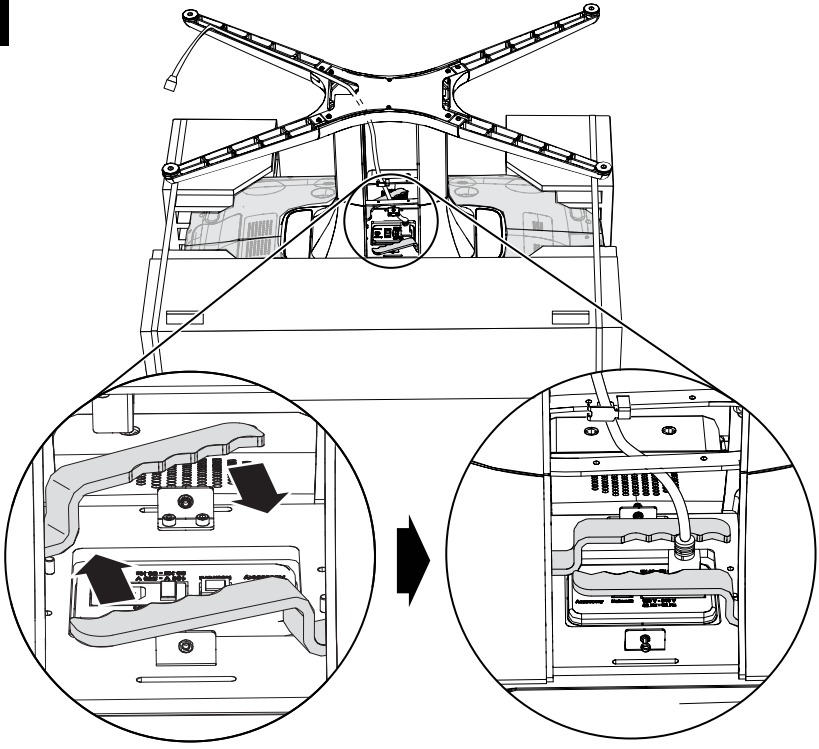
11



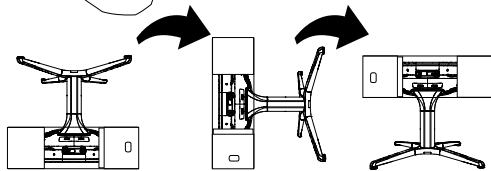
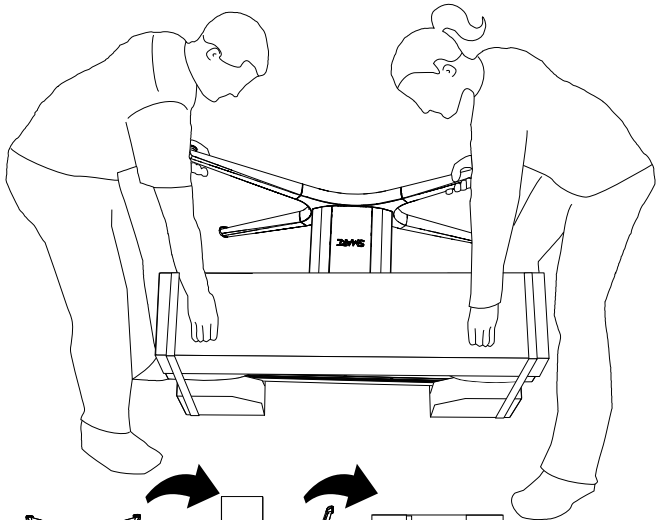
12



13

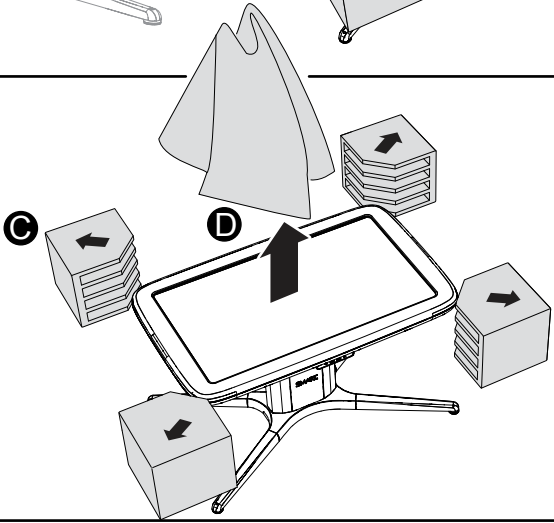
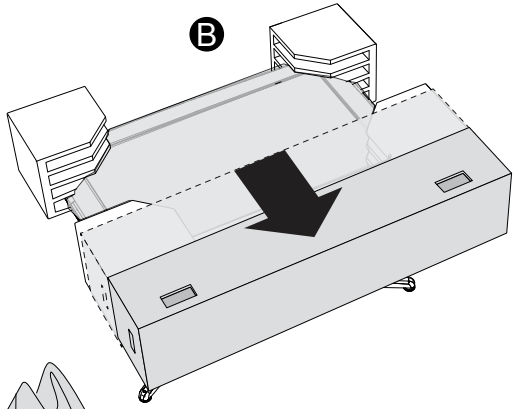
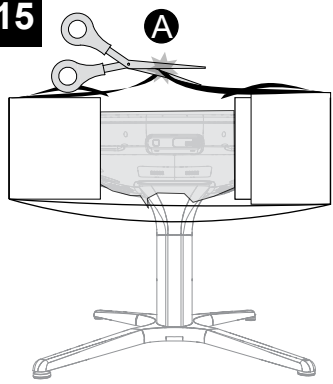


14

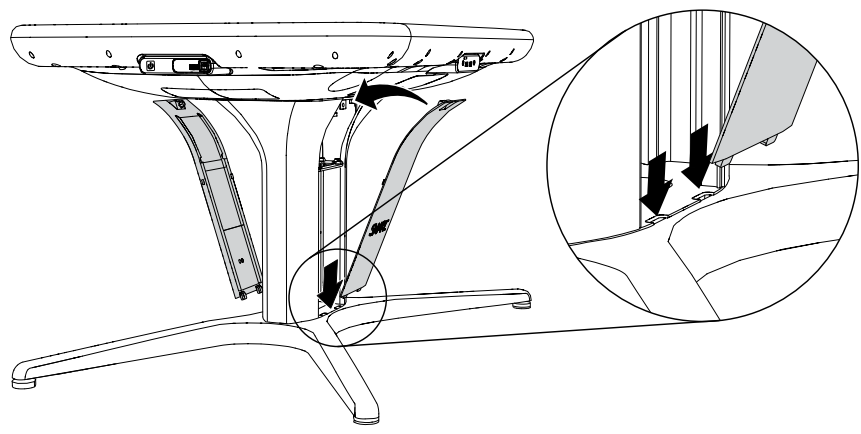




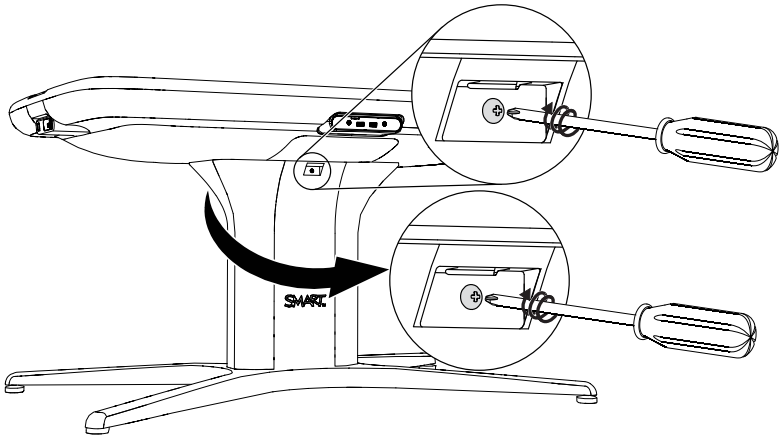
15



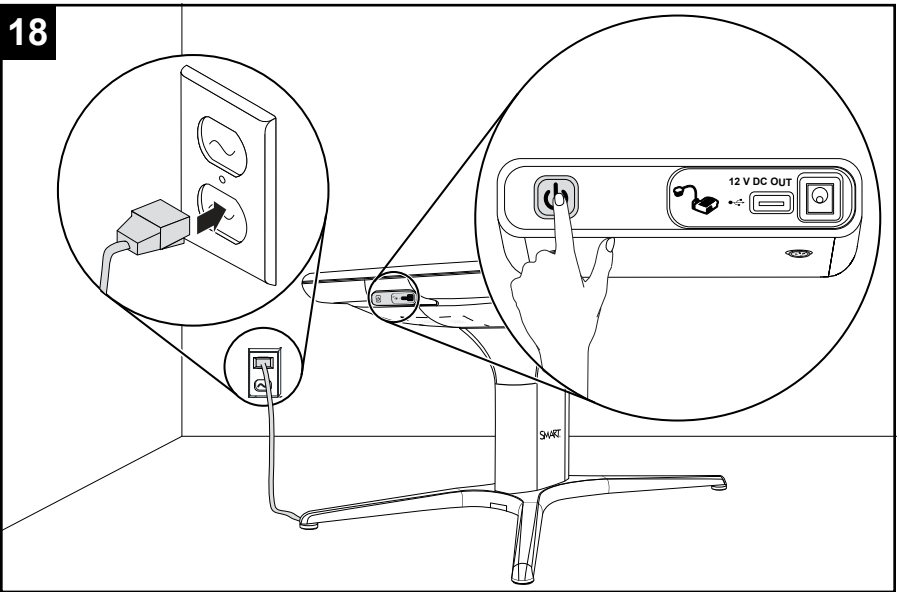
16



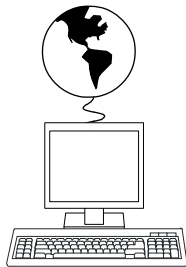
17



18



19



[smarttech.com/kb/170308](http://smarttech.com/kb/170308)



SMART®

## Hardware environmental compliance

SMART Technologies supports global efforts to ensure that electronic equipment is manufactured, sold and disposed of in a safe and environmentally friendly manner.



### **Waste Electrical and Electronic Equipment and Battery regulations (WEEE and Battery directives)**

Electrical and electronic equipment and batteries contain substances that can be harmful to the environment and to human health. The crossed-out wheeled bin symbol indicates that products should be disposed of in the appropriate recycling stream and not as regular waste.

#### **Batteries**

Contains BR2032 battery. Recycle or dispose of batteries properly.

#### **Perchlorate Material**

Contains perchlorate material. Special handling may apply. See [dtsc.ca.gov/hazardouswaste/perchlorate](http://dtsc.ca.gov/hazardouswaste/perchlorate).

See [smarttech.com/compliance](http://smarttech.com/compliance) for more information.



[smarttech.com/support](http://smarttech.com/support)  
[smarttech.com/contactsupport](http://smarttech.com/contactsupport)

**SMART**<sup>®</sup>

© 2013 SMART Technologies ULC. All rights reserved. SMART Table, smarttech, the SMART logo and all SMART taglines are trademarks or registered trademarks of SMART Technologies ULC in the U.S. and/or other countries. All third-party products and company names may be trademarks of their respective owners. Contents are subject to change without notice. This product and/or use thereof covered by one or more of the following U.S. patents: [smarttech.com/patents](http://smarttech.com/patents). Other patents pending. 01/2013.

1019830 Rev 02