

MAX 67.84 [1723.0]
MIN 42.24 [1073.0]

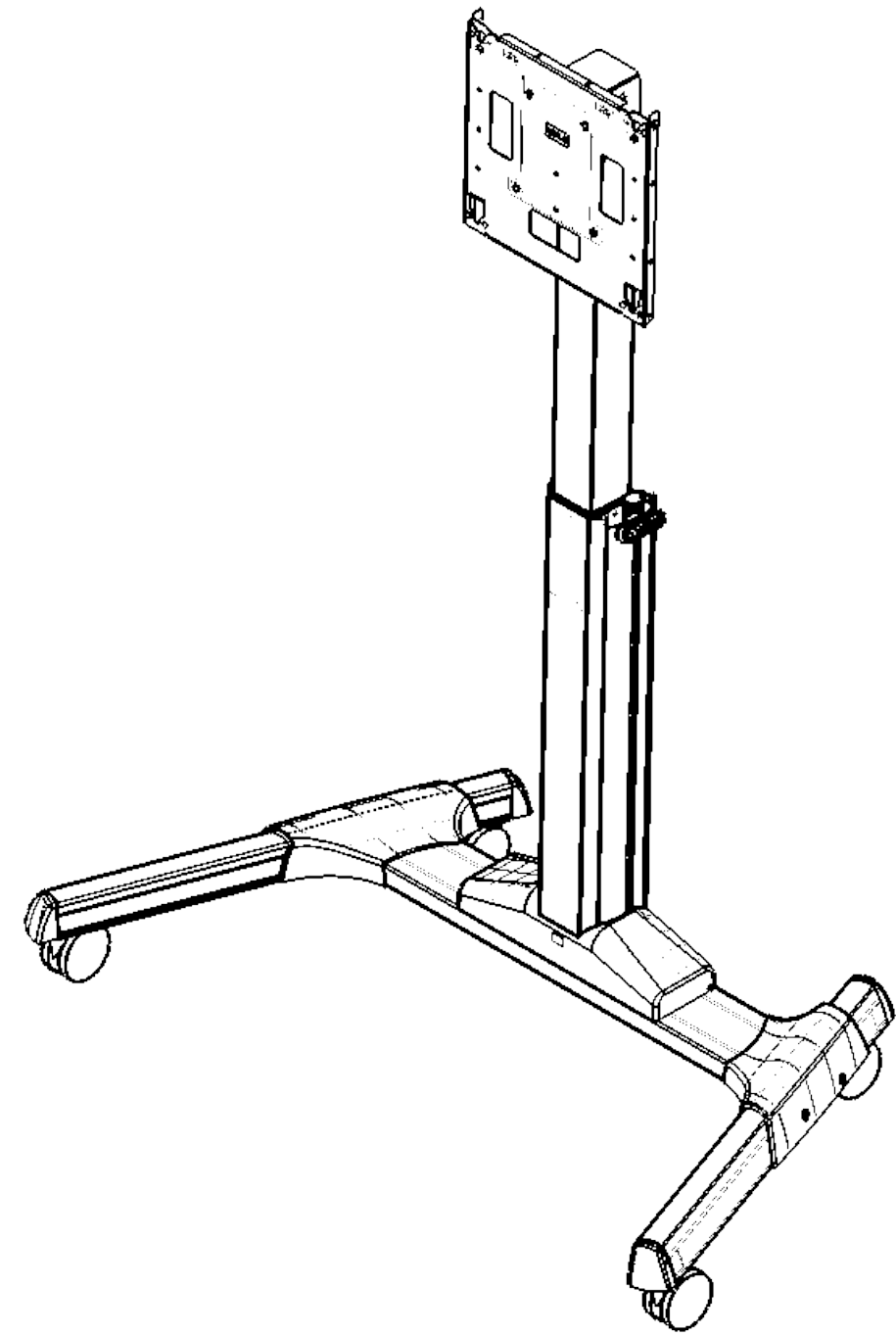
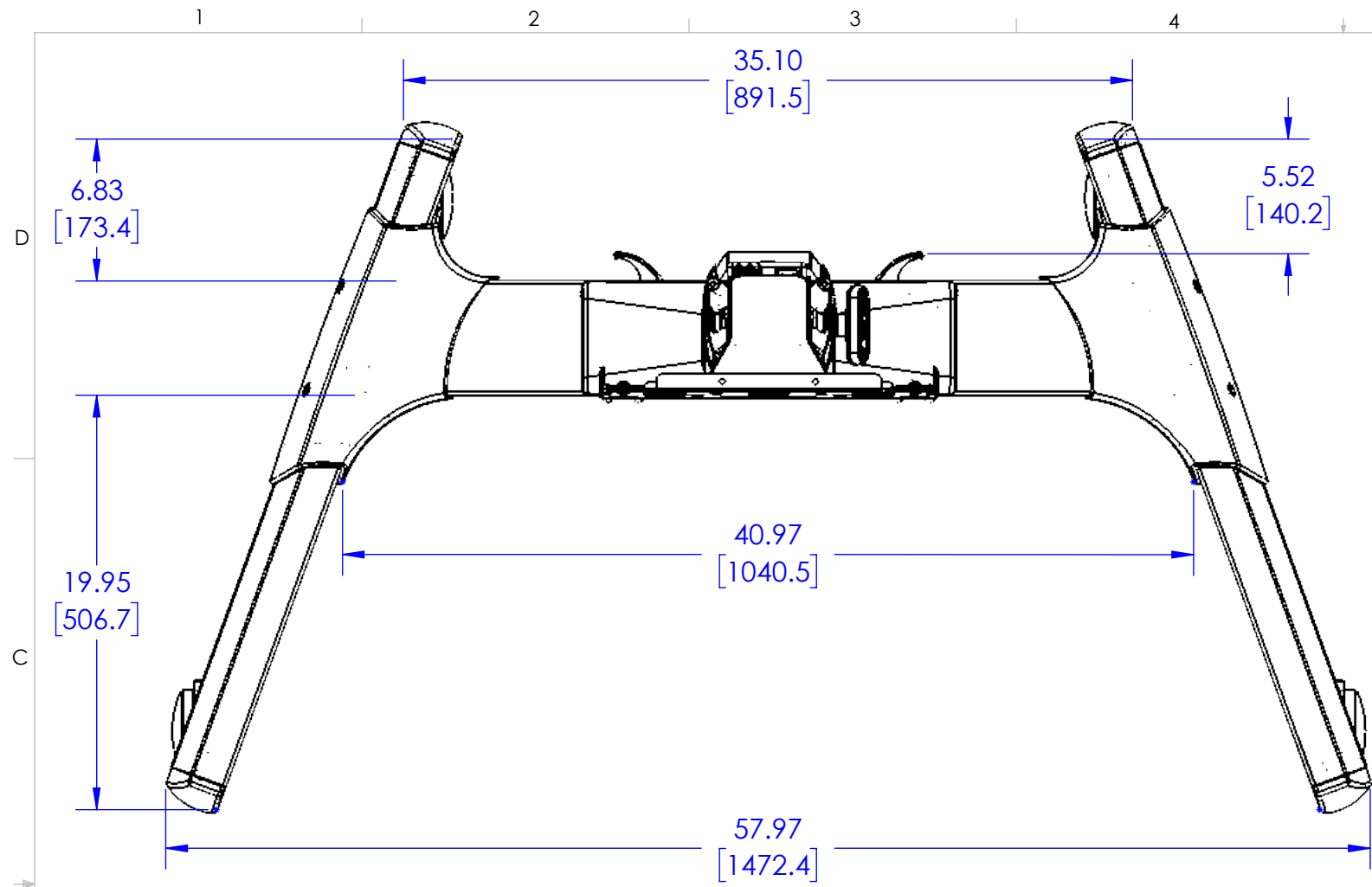
DETAIL A
SCALE 1 : 4

WEIGHT RATING: 200LB (90KG)

ELECTRICAL RATING:
100-240 VAC, 50-60HZ, 450W
INT. 10%, MAX. 2MIN/18MIN

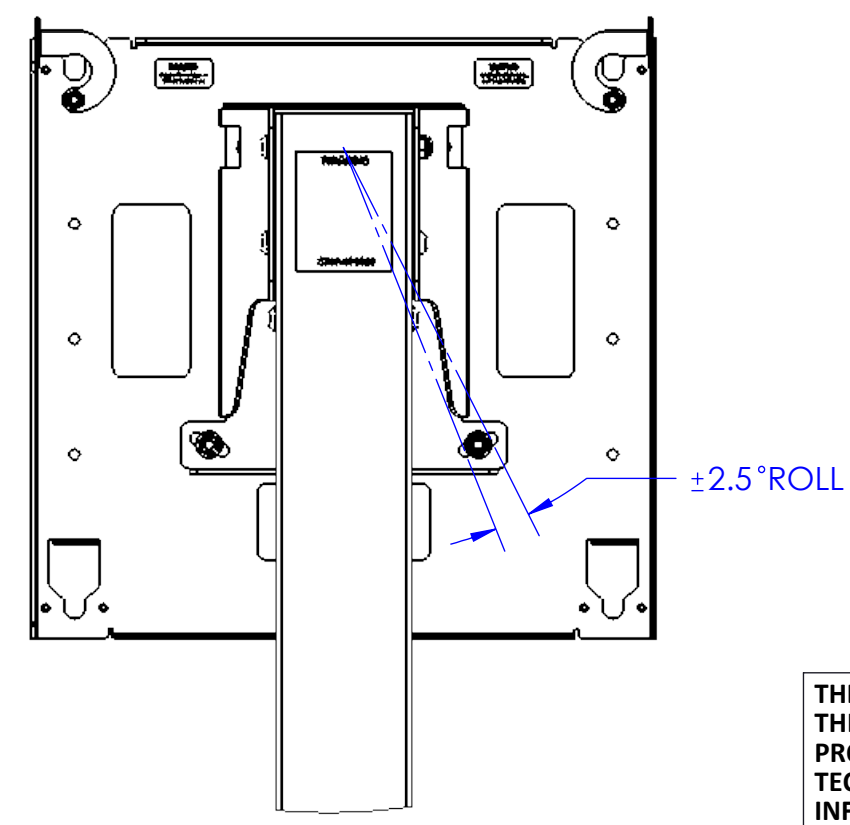
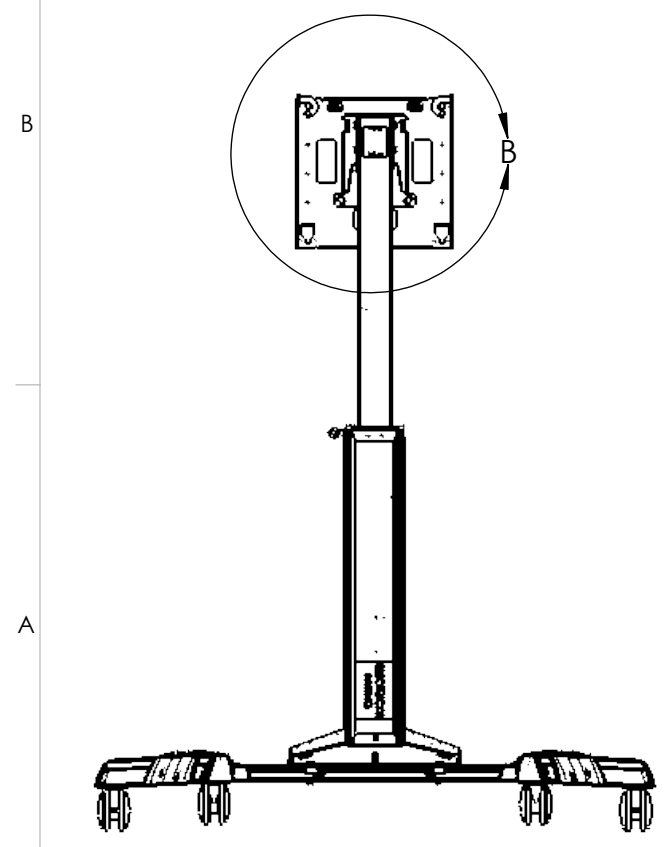
THE INFORMATION AND DESIGNS CONTAINED IN THIS DRAWING ARE CONFIDENTIAL AND THE PROPRIETARY PROPERTY OF MILESTONE AV TECHNOLOGIES NEITHER THIS DESIGN NOR ANY INFORMATION CONTAINED IN THIS DRAWING MAY BE REPRODUCED OR DISCLOSED TO OTHERS WITHOUT THE EXPRESS WRITTEN CONSENT OF MILESTONE AV TECHNOLOGIES.

CAD GENERATED DRAWING, DO NOT MANUALLY UPDATE.			CHIEF		6436 CITY WEST PKWY EDEN PRAIRIE MN, 55344 PHONE: 866-977-3901 FAX: 877-894-6918	
DRAWN BY	CT	2/15/2019	DESCRIPTION LPE1U TECH DRAWING			
ENG APPROVAL			MODEL NO. LPE1U			
MFG APPROVAL			SIZE DWG. NO. B TECH-000974			
QA APPROVAL			REV. 00			
SHEET 1 OF 2			SCALE 1:10			



WEIGHT RATING: 200LB (90KG)

ELECTRICAL RATING:
100-240 VAC, 50-60HZ, 450W
INT. 10%, MAX. 2MIN/18MIN



DETAIL B
SCALE 1 : 5

THE INFORMATION AND DESIGNS CONTAINED IN THIS DRAWING ARE CONFIDENTIAL AND THE PROPRIETARY PROPERTY OF MILESTONE AV TECHNOLOGIES NEITHER THIS DESIGN NOR ANY INFORMATION CONTAINED IN THIS DRAWING MAY BE REPRODUCED OR DISCLOSED TO OTHERS WITHOUT THE EXPRESS WRITTEN CONSENT OF MILESTONE AV TECHNOLOGIES.

CAD GENERATED DRAWING, DO NOT MANUALLY UPDATE.				6436 CITY WEST PKWY EDEN PRAIRIE MN, 55344 PHONE: 866-977-3901 FAX: 877-894-6918	
DRAWN BY	CT	2/15/2019		DESCRIPTION LPE1U TECH DRAWING	
ENG APPROVAL			MODEL NO. LPE1U		
MFG APPROVAL			SIZE	DWG. NO.	REV.
QA APPROVAL			B	TECH-000974	00
SHEET 2 OF 2			SCALE		
			1:8		