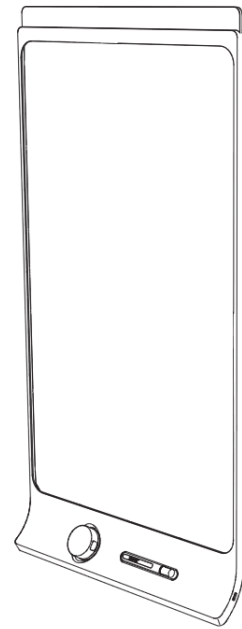


**SMART<sup>®</sup>**



***Service Parts  
Diagrams***

**For Model:  
KAPP42**

# Service Parts Diagrams Revision History

## Revision 1 - December, 2014

- New document

## Standard Warranty Terms

Base product: 90-day limited equipment warranty

First Customer Ship: November, 2014

---

**SMART Technologies**

3636 Research Road NW

Calgary, AB T2L 1Y1

CANADA

Support +1.403.228.5940 or Toll Free 1.866.518.6791 (Canada/U.S.)

Support Fax +1.403.806.1256

[www.smarttech.com/contactserviceparts](http://www.smarttech.com/contactserviceparts) [www.smarttech.com](http://www.smarttech.com)



# Service Parts Diagrams for the KAPP42

---

Identifying Your Product Using the Serial Number ..... 1  
Ordering Parts ..... 1  
KAPP42 Parts ..... 2



## Identifying Your Product Using the Serial Number

To make sure that you have the correct service parts diagrams, you must verify the serial number of your KAPP42. The serial number will be located on the back of the board. An example of the serial number format is shown below.



## Ordering Parts

### Customers

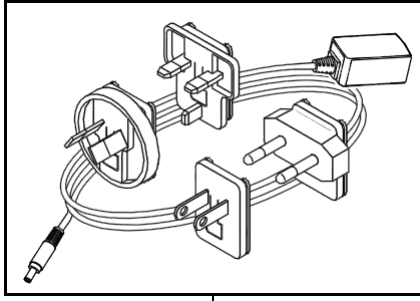
To order any of the parts in these service parts diagrams, contact your local reseller. To find a reseller near you, visit [www.smarttech.com/where](http://www.smarttech.com/where).

### Dealers and Distributors

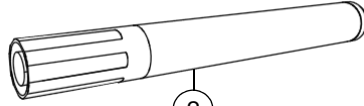
For specific technical and pricing enquiries in regards to these diagrams please contact our service parts department. Pricing is also available on-line via the SOURCE website ([source.smarttech.com](http://source.smarttech.com)).

Web Form: [www.smarttech.com/contactserviceparts](http://www.smarttech.com/contactserviceparts)  
Phone: 1.888.42.SMART  
International: +1.403.245.0333

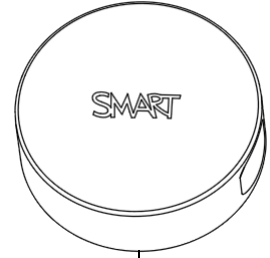
# KAPP42 Parts



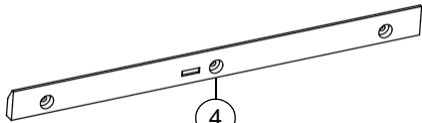
1



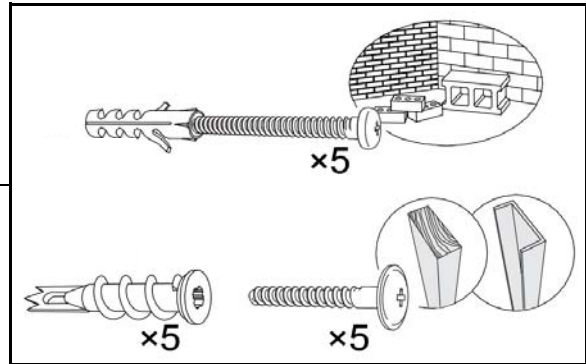
2



3



4



5

Item	Part No.	Qty	Description
1	1024568	1	Power supply kit, 5V DC, 3.0A, universal switching <b>NOTE:</b> Includes plug adapters for North America, Europe, United Kingdom and Australia.
2	RPEN-KAPP	1	Replacement Pens for KAPP - Set of Three
3	RERASER-KAPP42	1	Replacement Eraser for KAPP42
4	1024560	1	Assembly, Bracket, Wall Mount, KAPP42
5	1024563	1	Assembly, Mounting Hardware, KAPP42