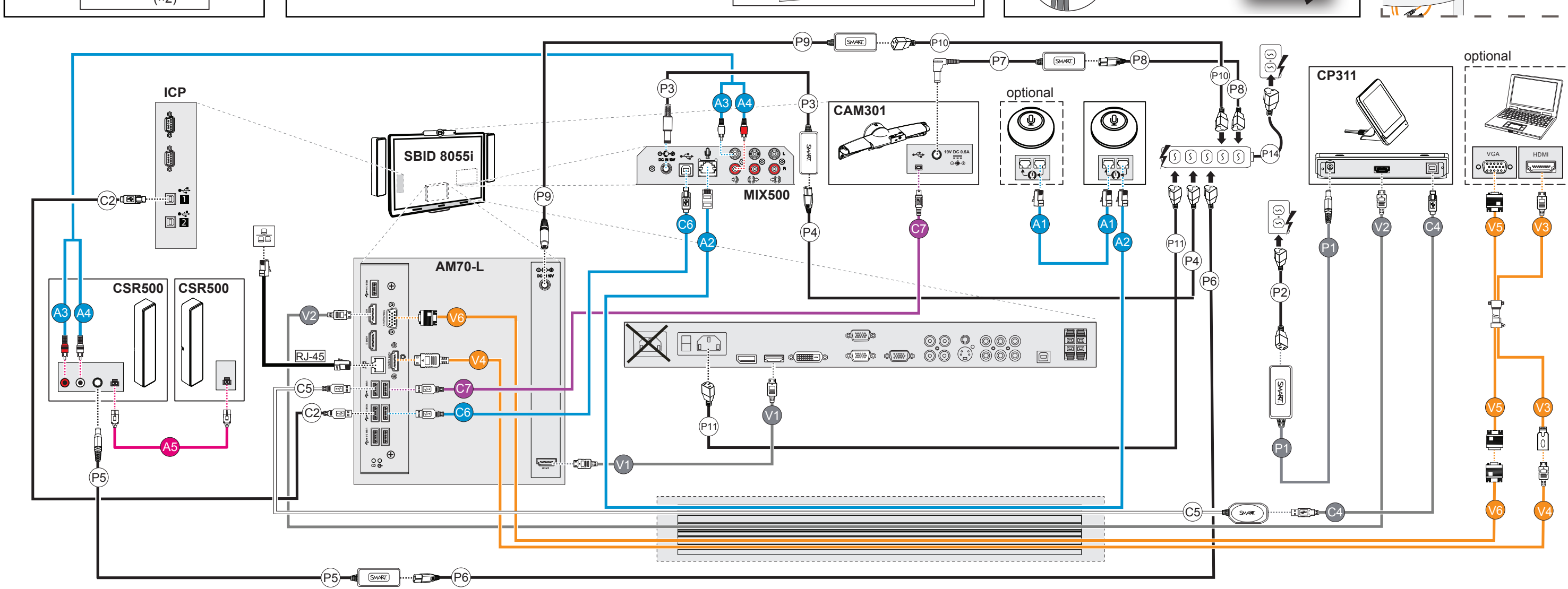
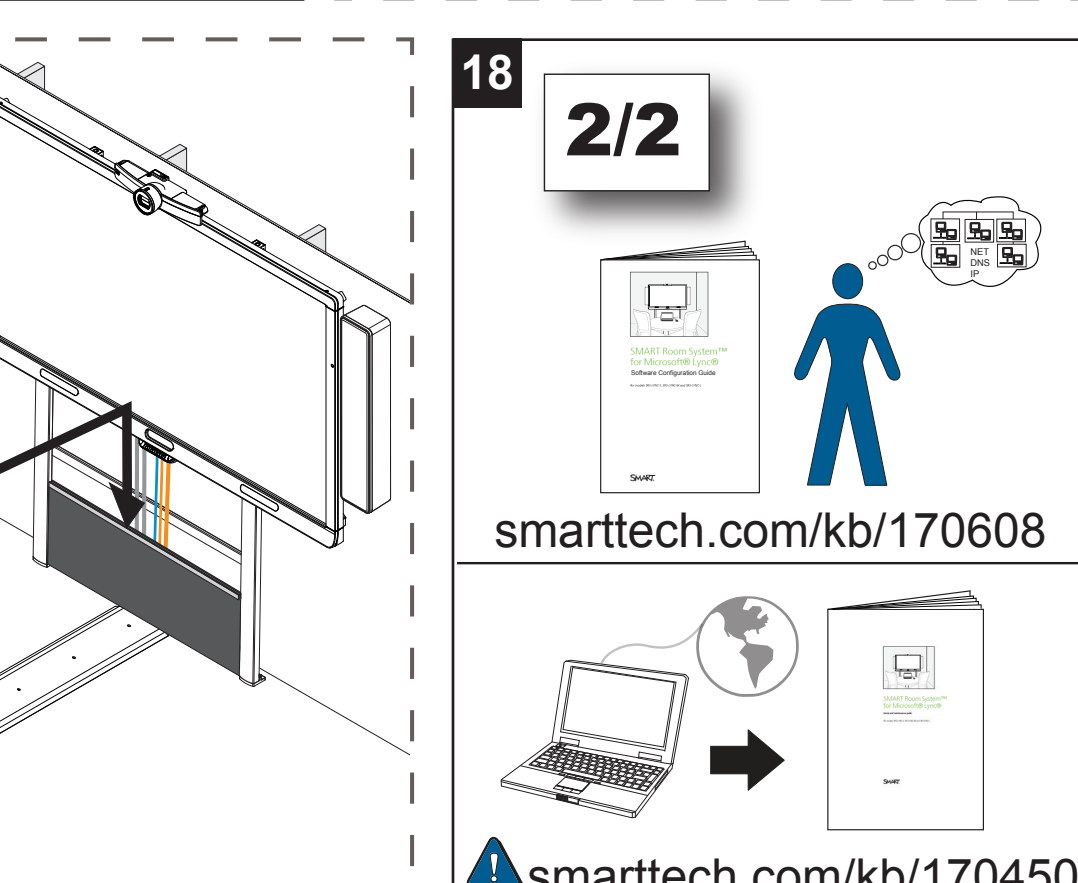
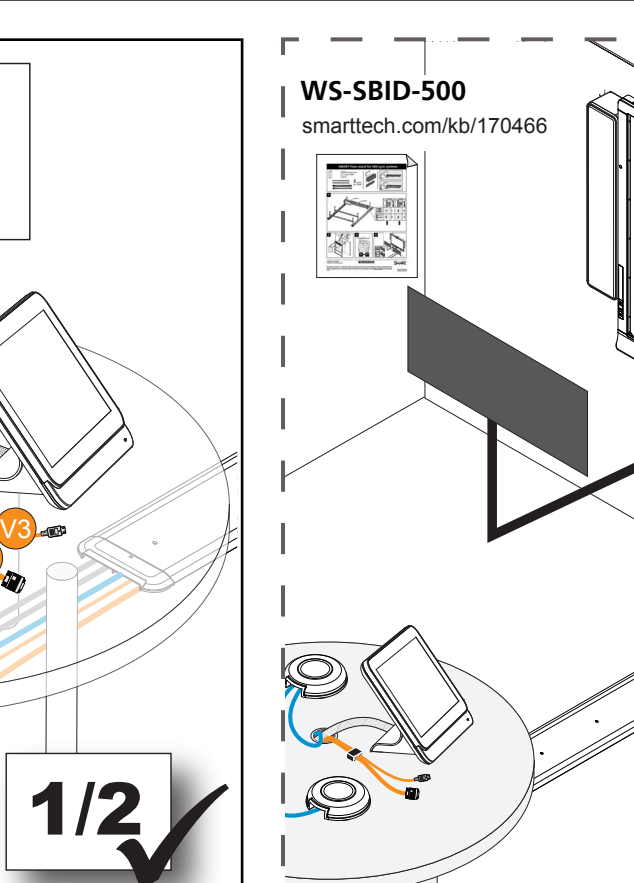
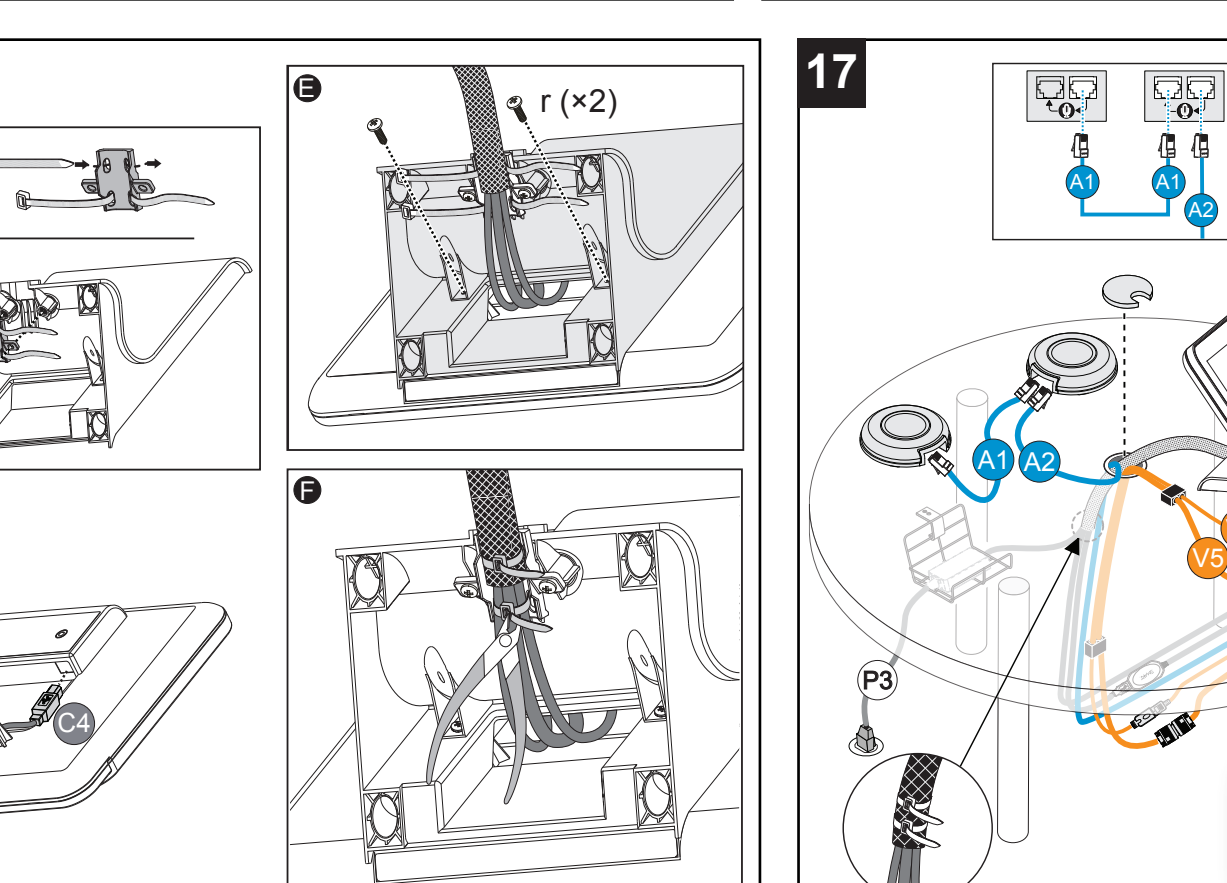
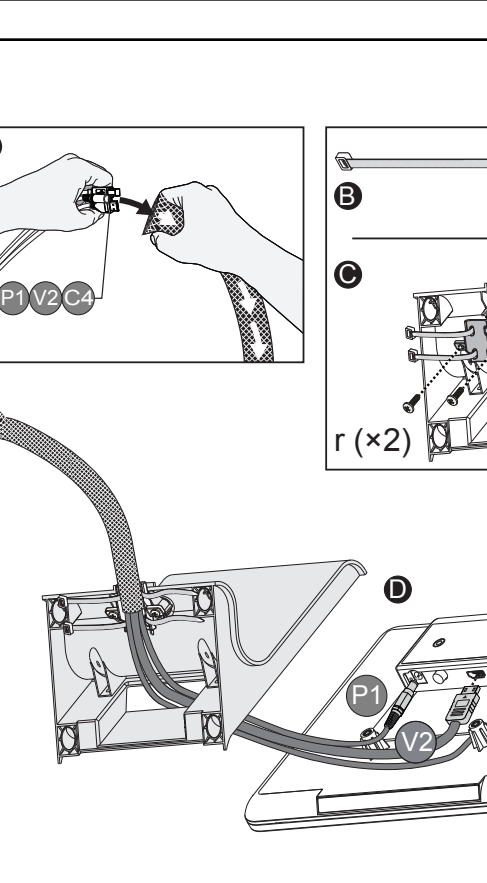
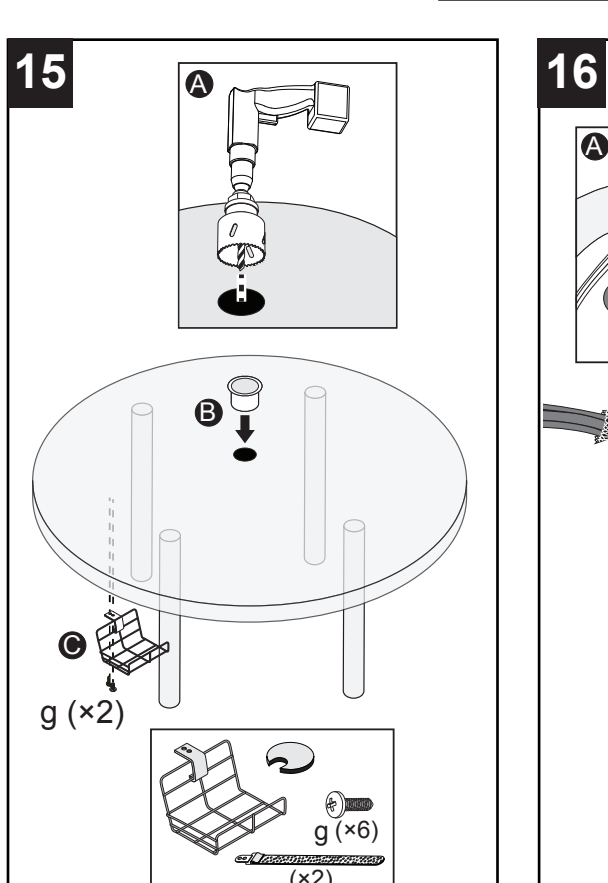
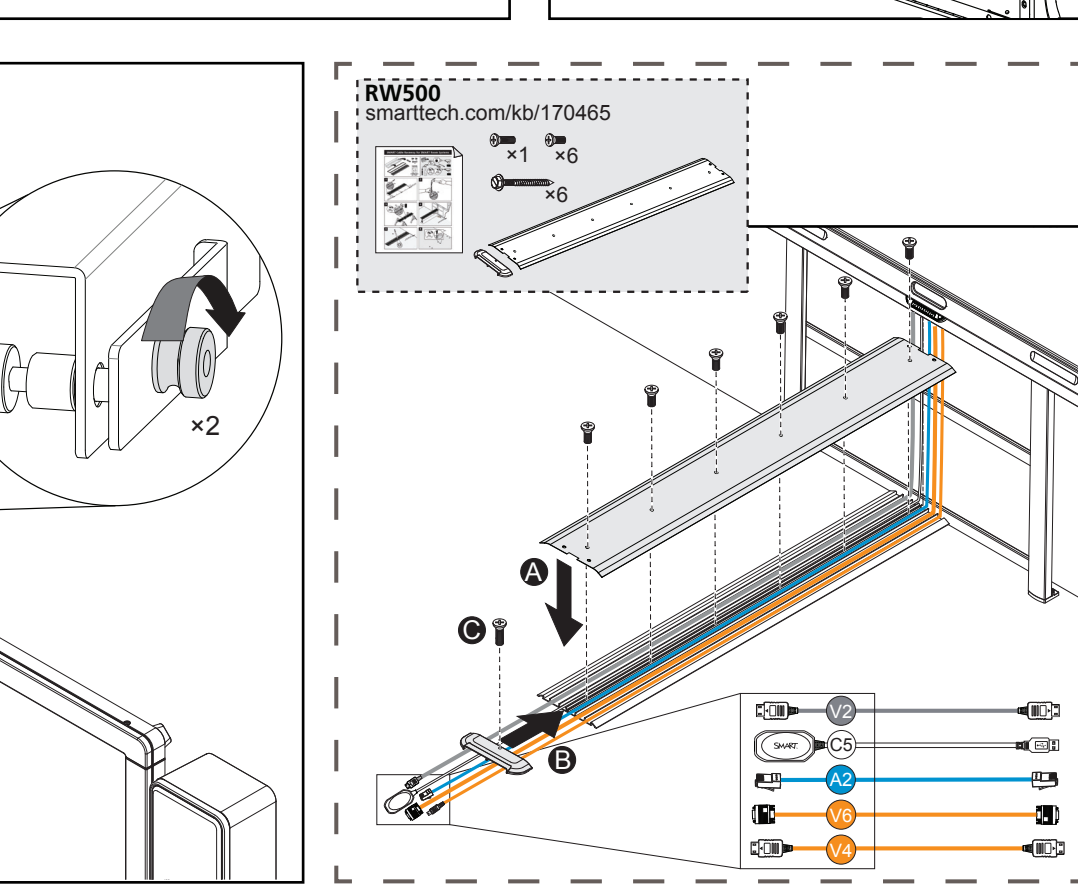
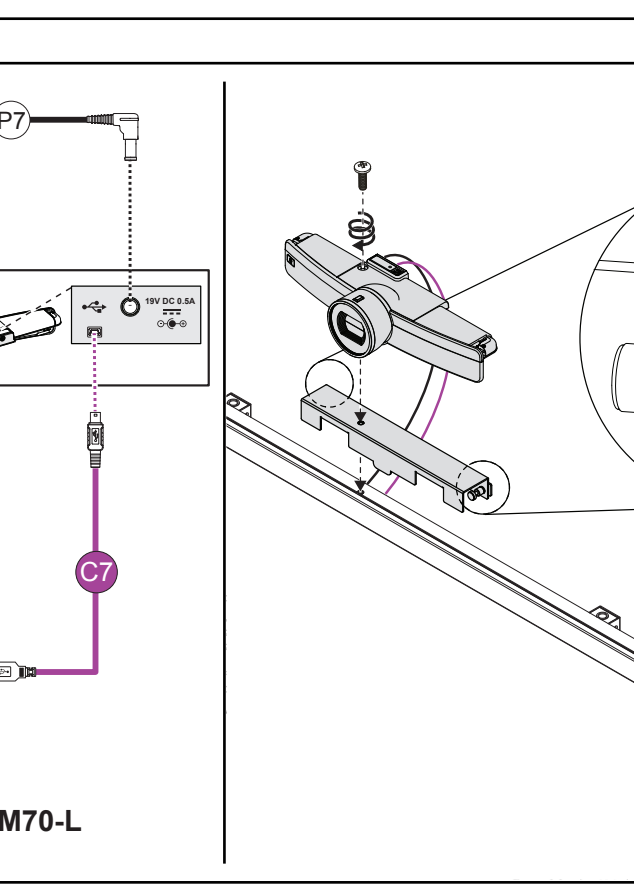
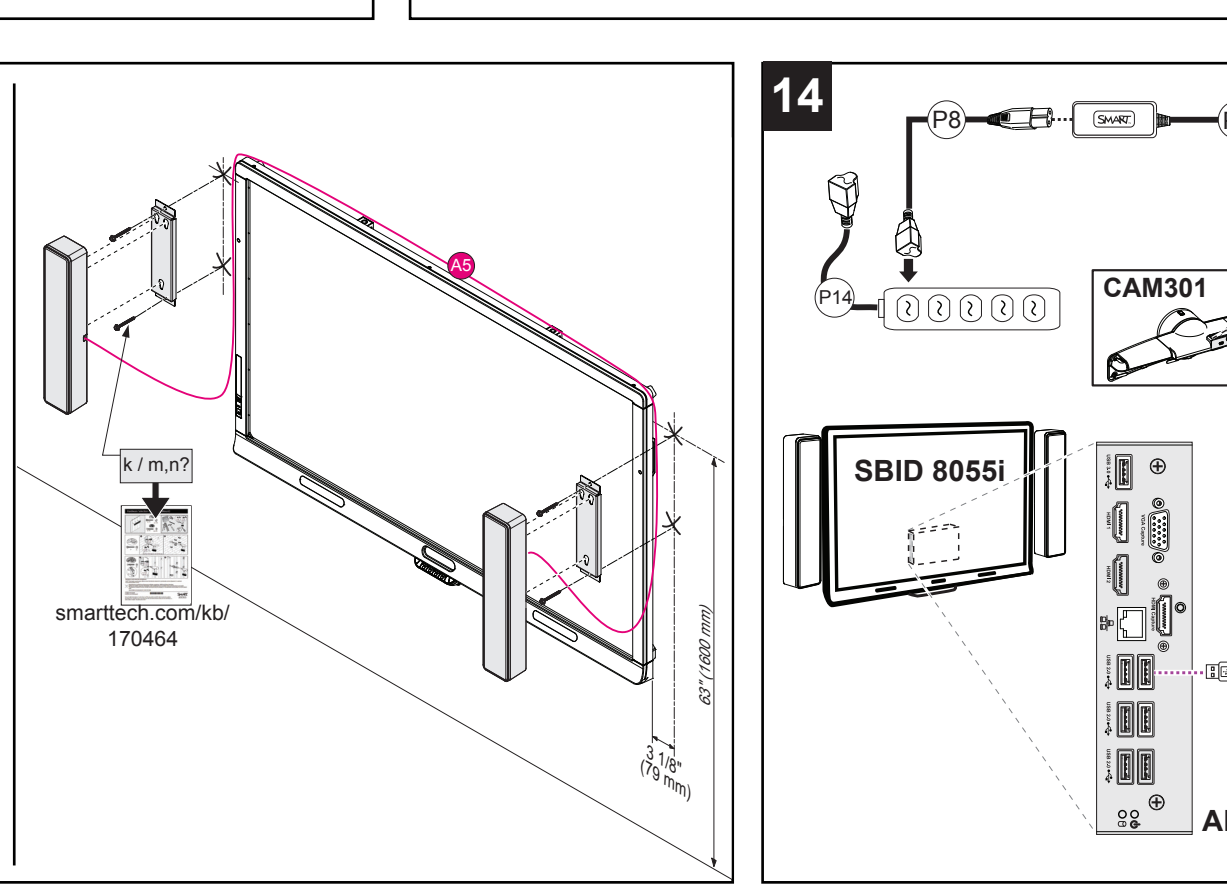
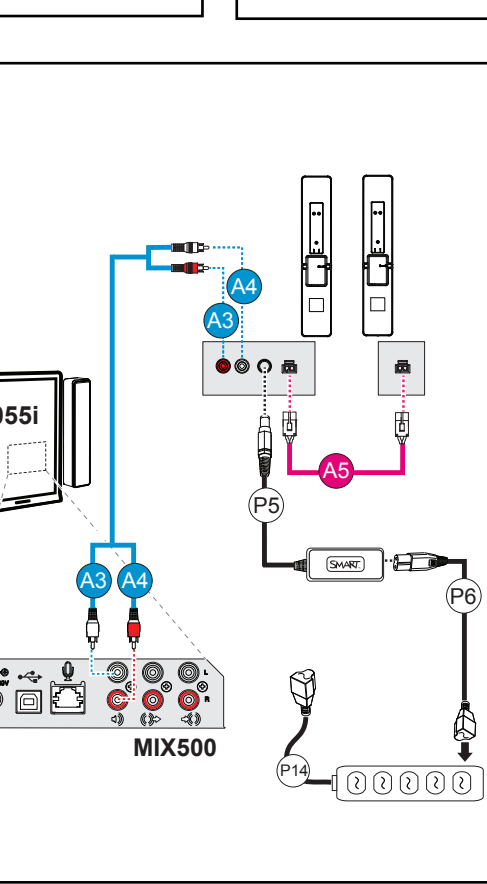
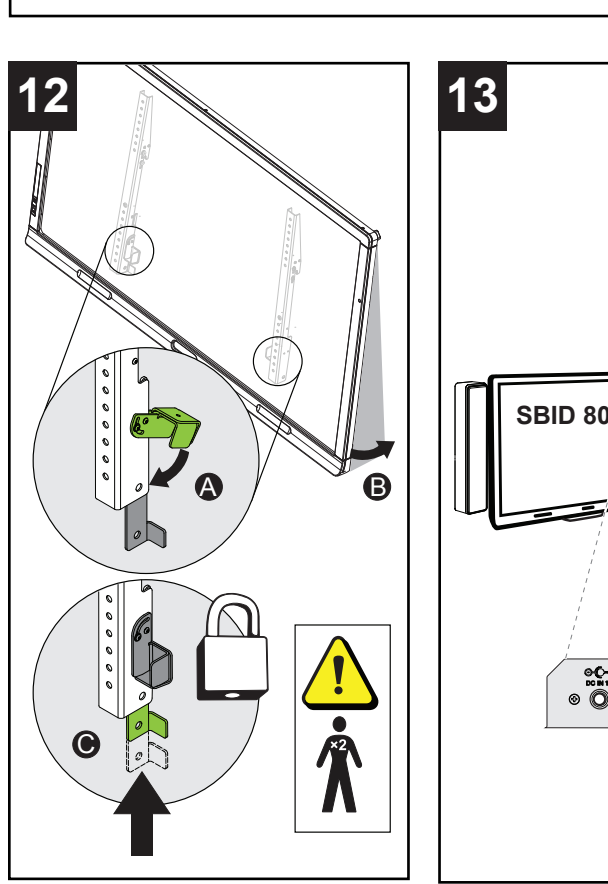
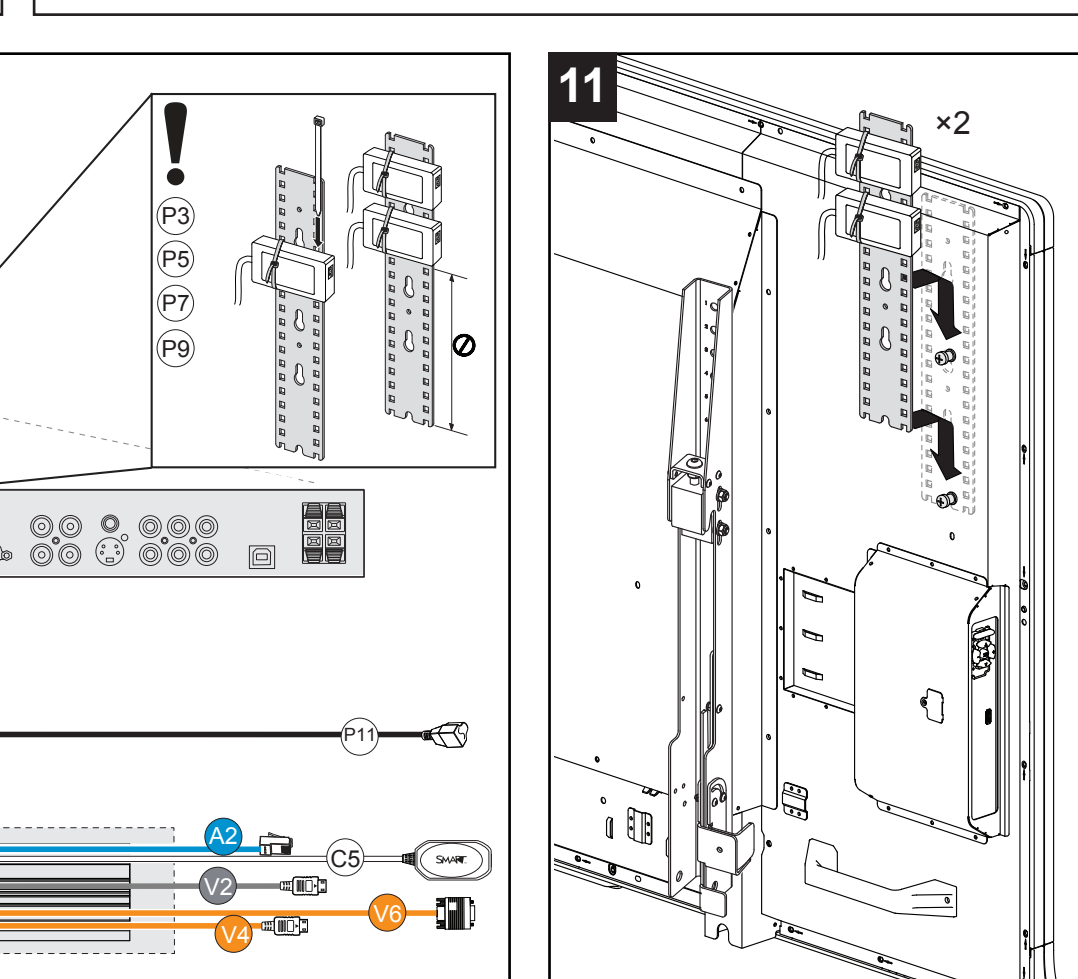
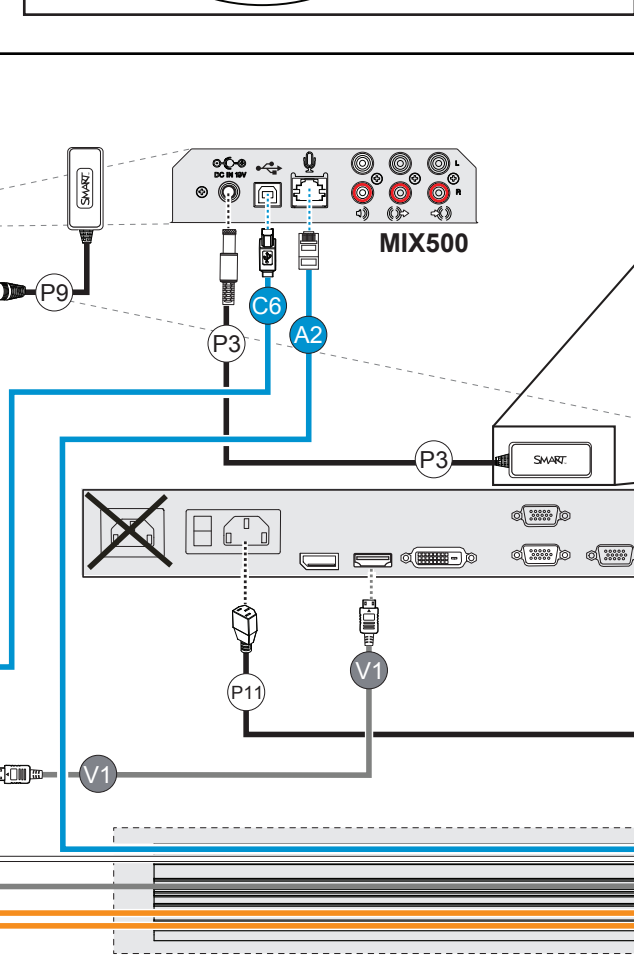
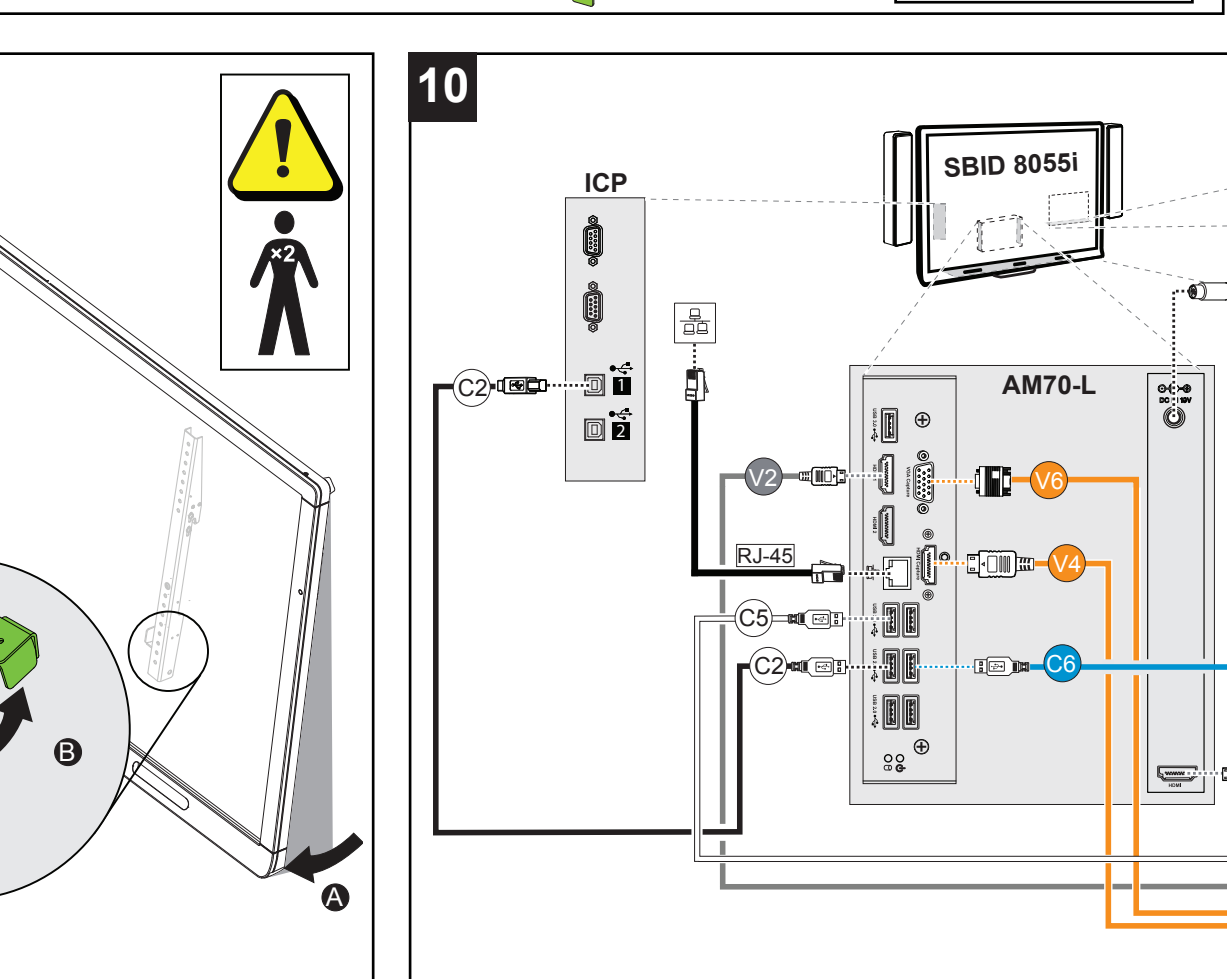
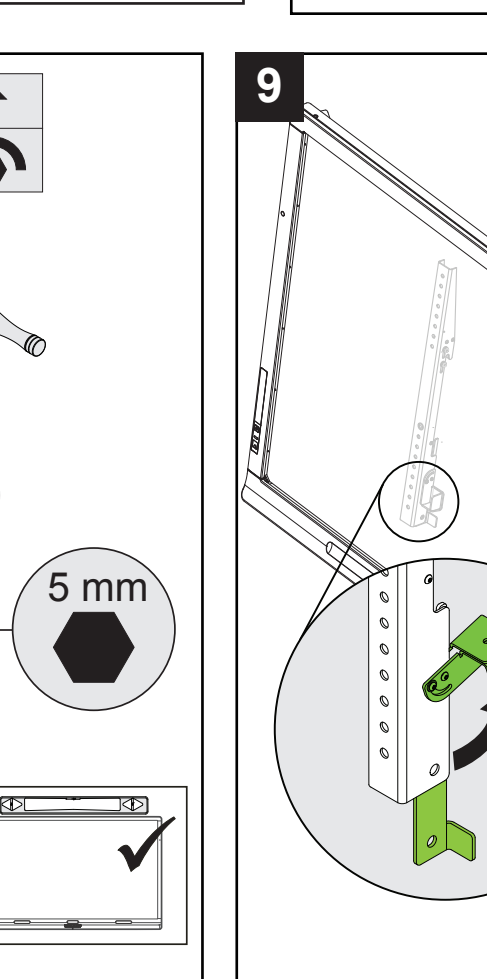
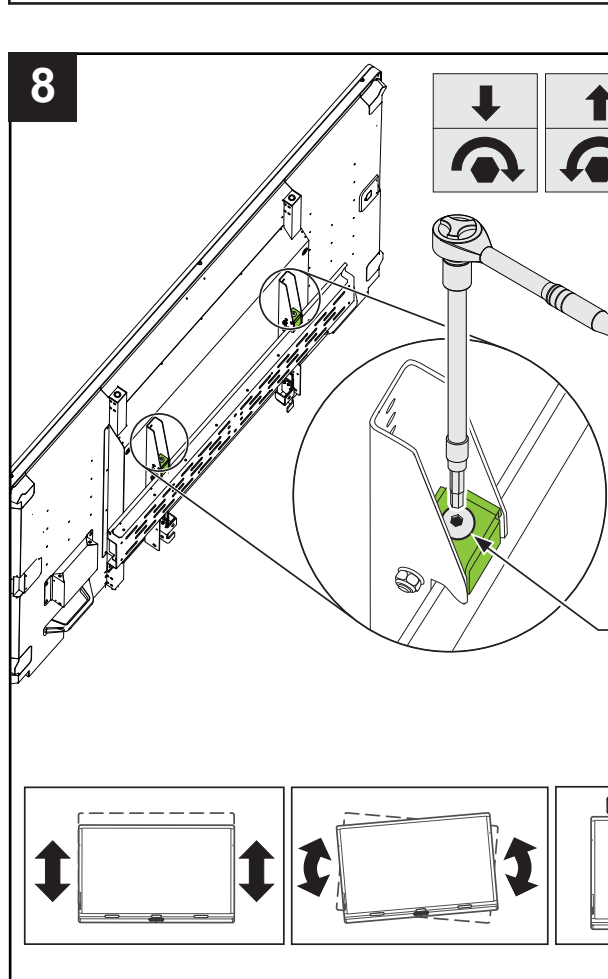
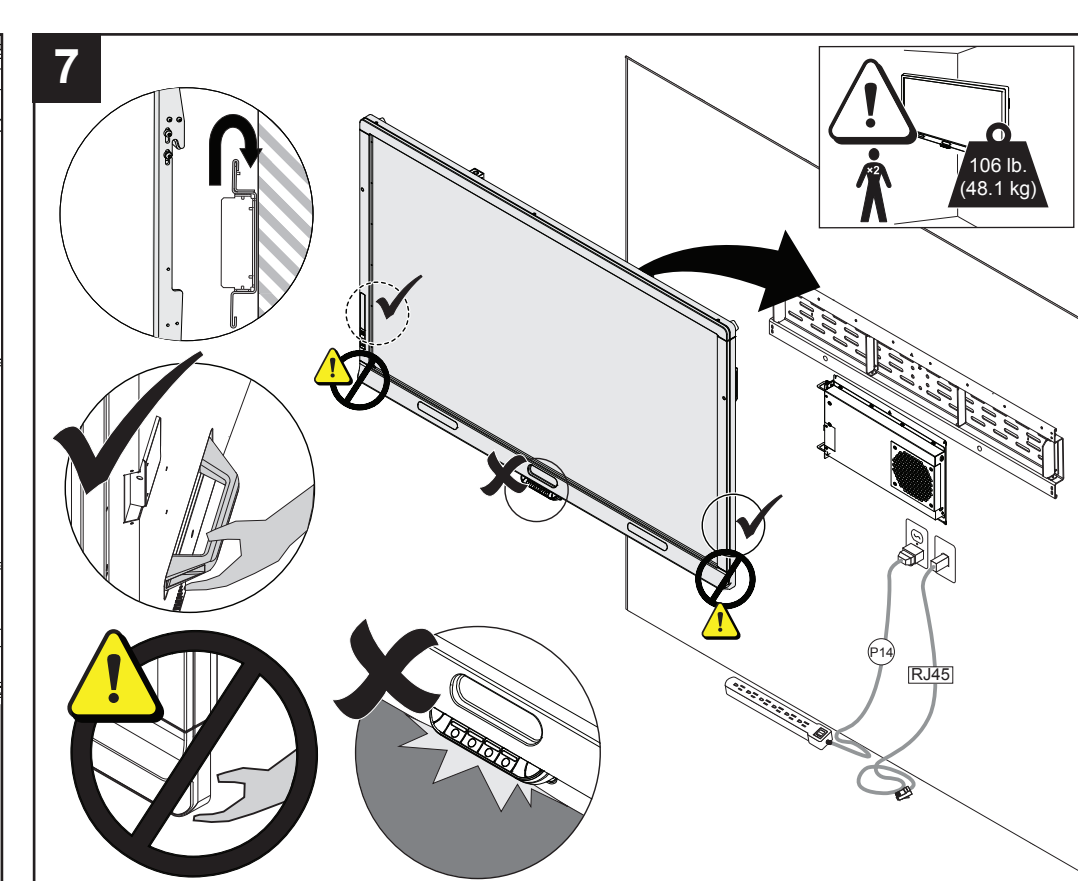
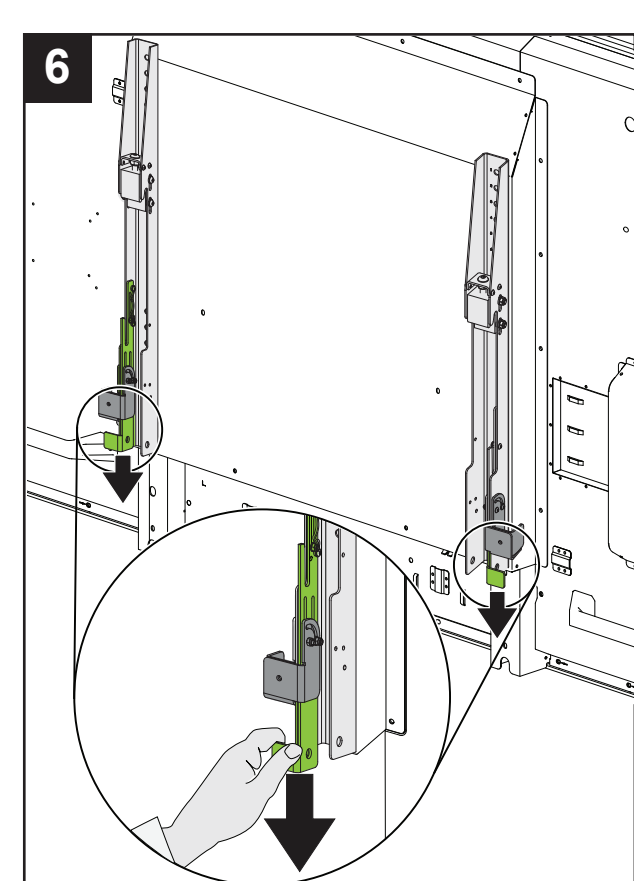
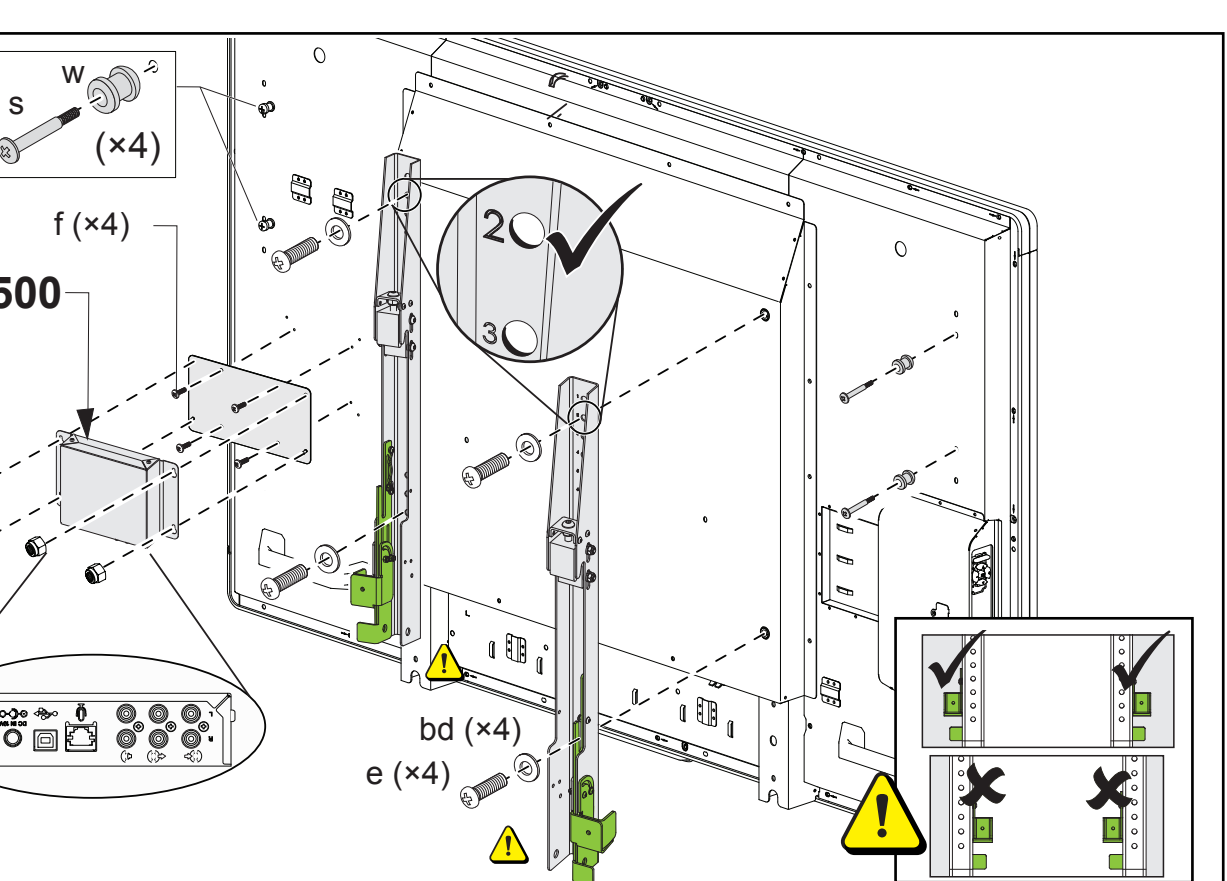
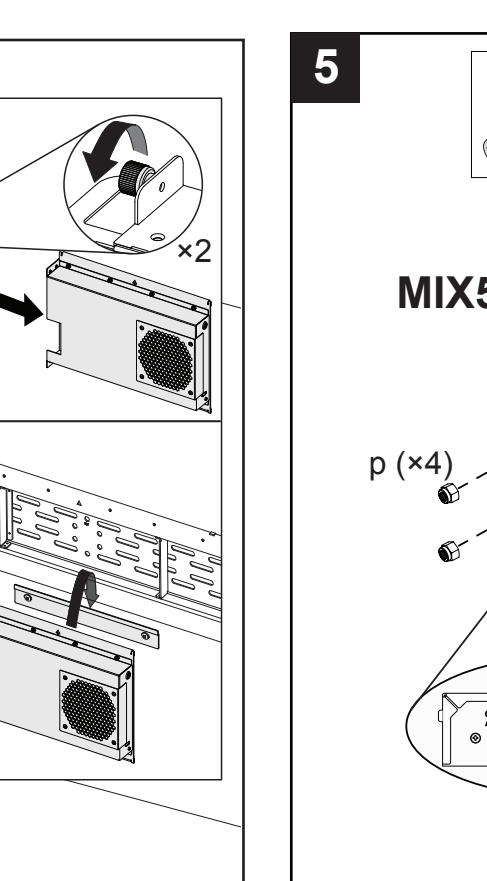
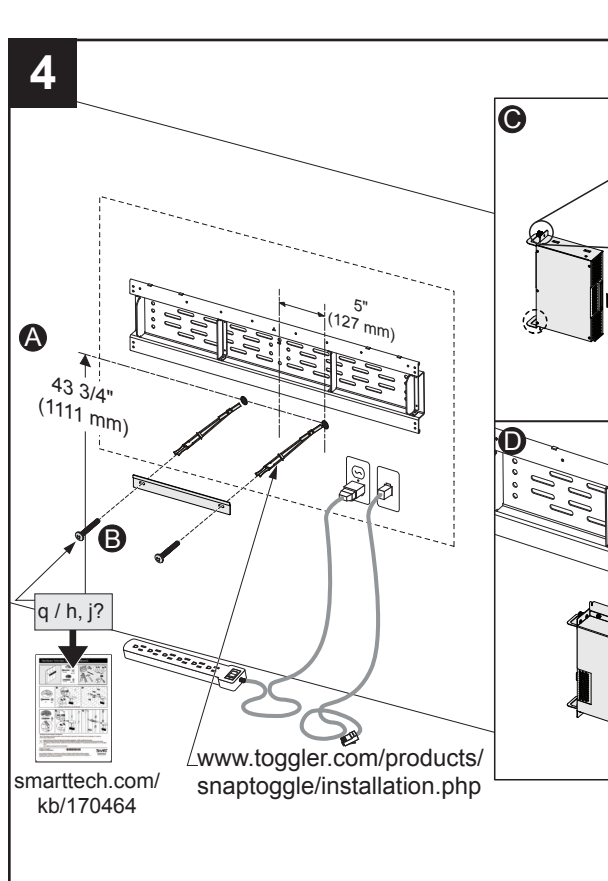
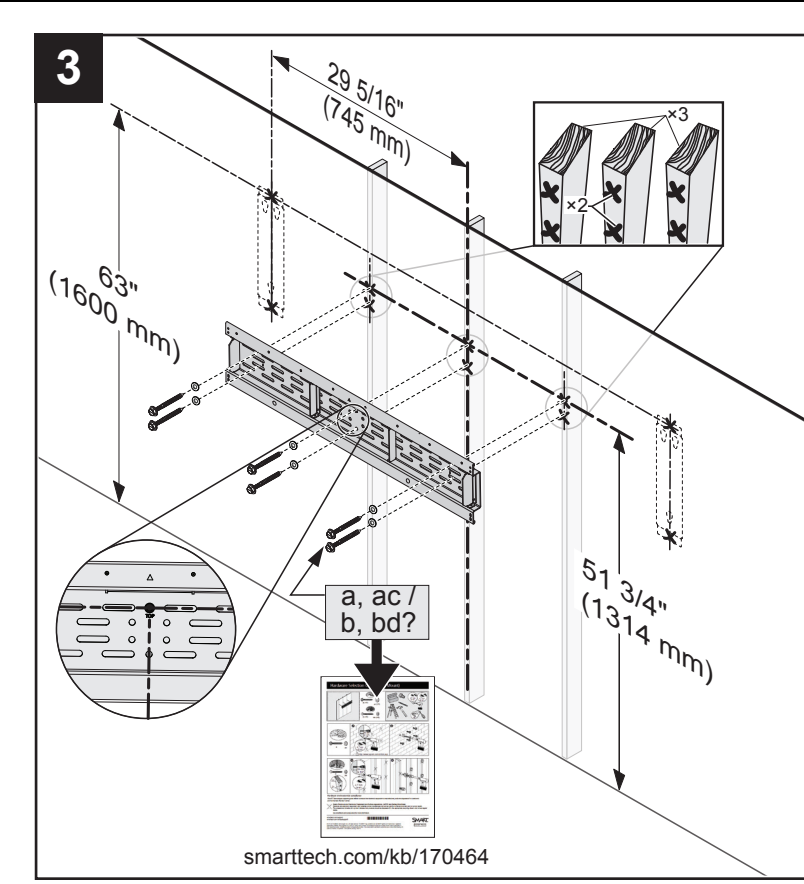
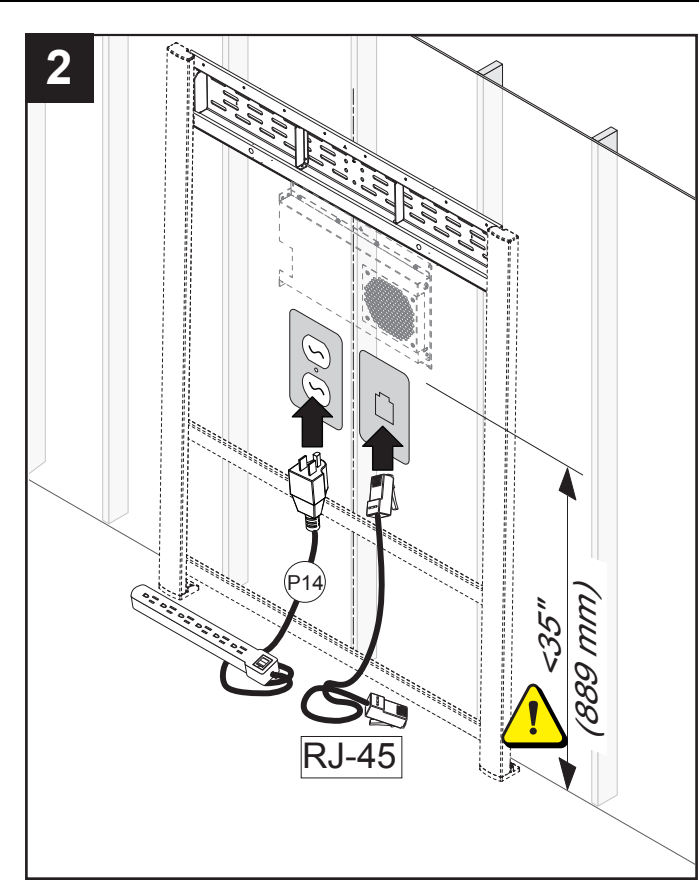
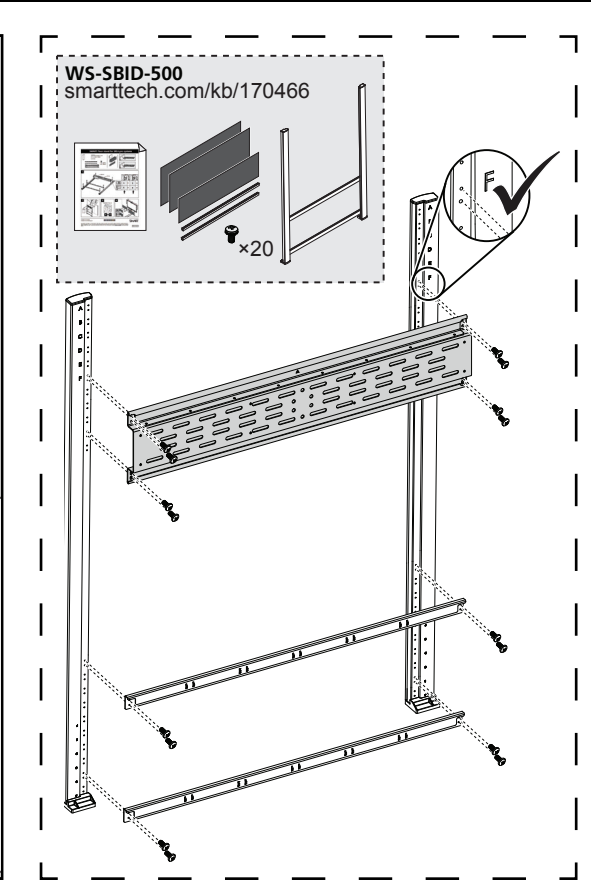
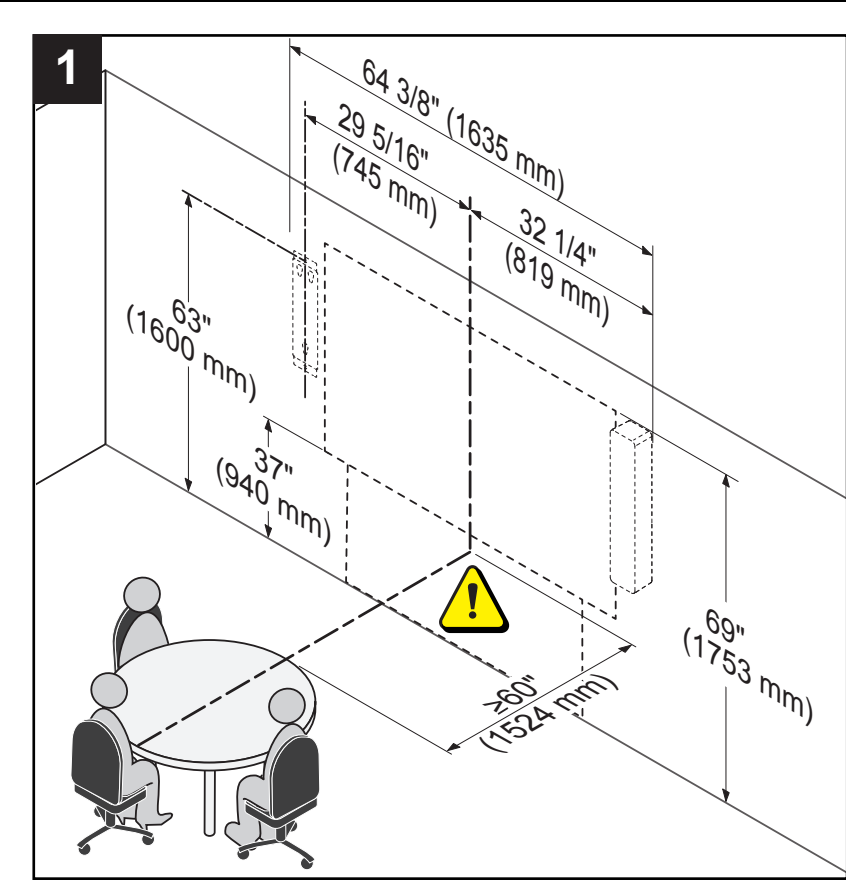
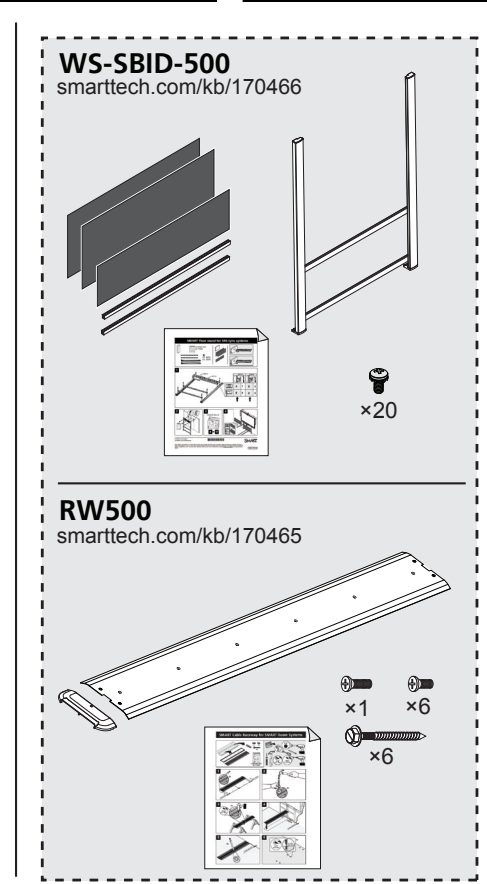
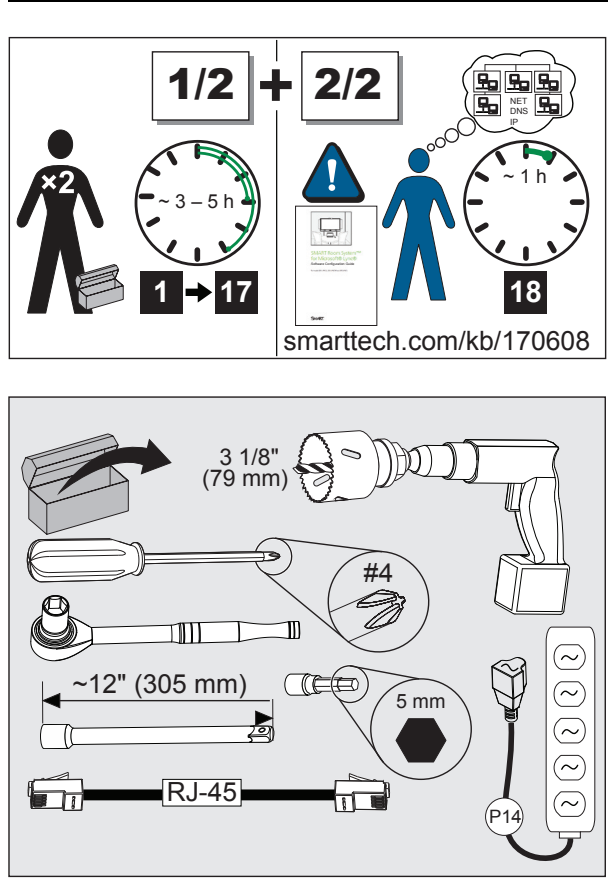
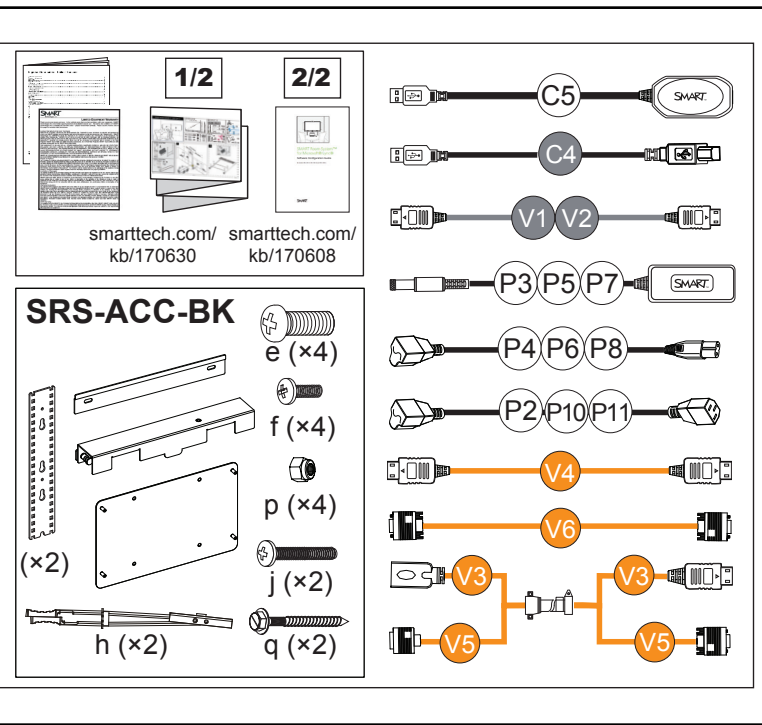
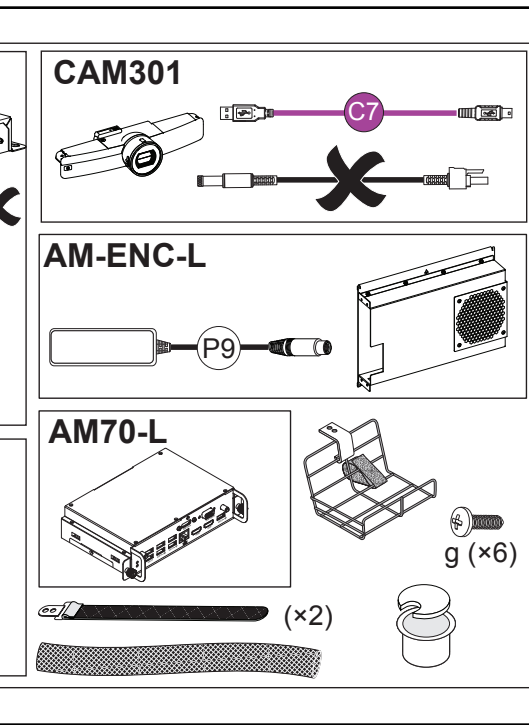
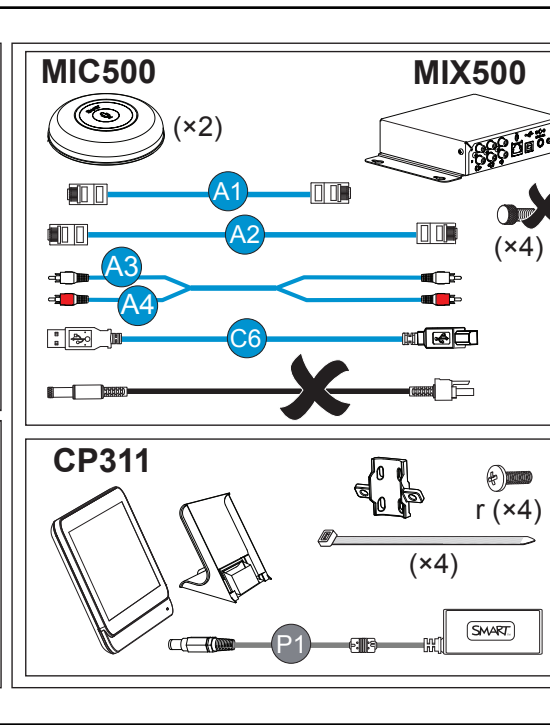
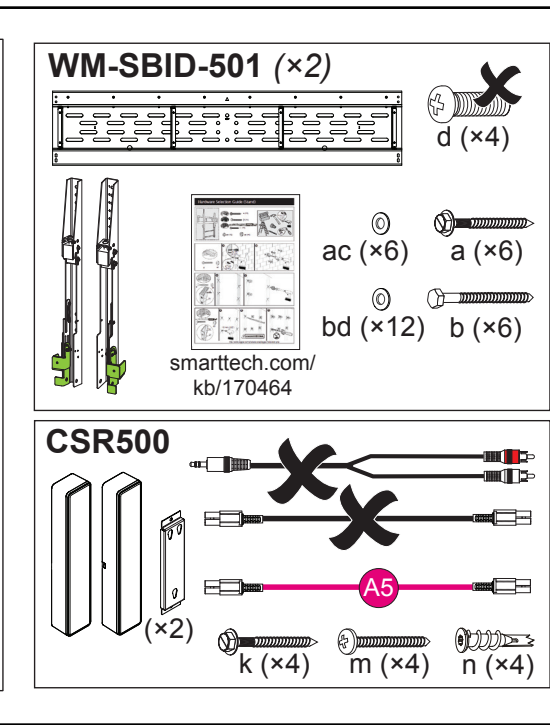
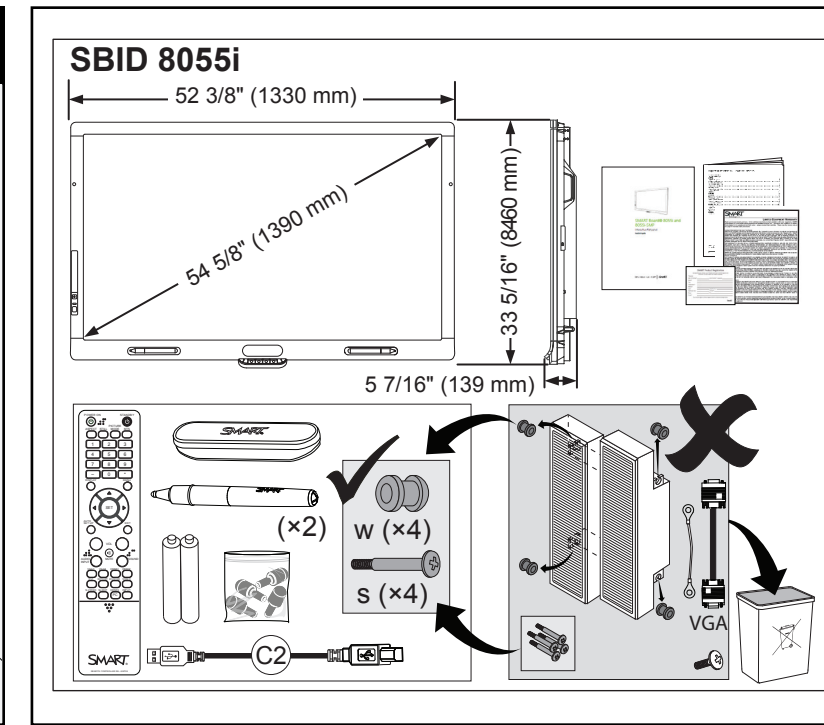
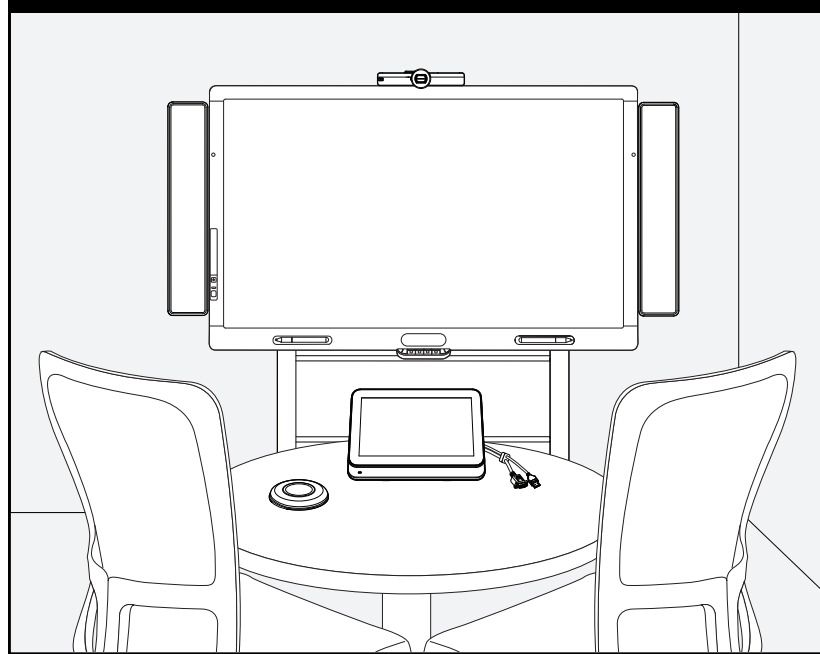


SMART Room System™ (SRS-Lync-XS)



CAUTION: This wall mount or stand is intended for use with a display system with a maximum weight of 276 lb. (125 kg) and a maximum diagonal of 84" (214 cm). Use with products that are heavier than the maximum weight indicated may cause the mount and its accessories to collapse, resulting in possible personal injury.

Hardware environmental compliance
 SMART Technologies supports global efforts to ensure that electronic equipment is manufactured, sold and disposed of in a safe and environmentally friendly manner.

Waste Electrical and Electronic Equipment and Battery regulations (WEEE and Battery directives)
 Electrical and electronic equipment and batteries contain substances that can be harmful to the environment and to human health. The crossed-out wheeled bin symbol indicates that products should be disposed of in the appropriate recycling stream and not as regular waste.

Batteries
 The remote contains alkaline batteries. Recycle or dispose of batteries properly.

See smarttech.com/compliance for more information.

smarttech.com/support
 smarttech.com/contactsupport

© 2014 SMART Technologies LLC. All rights reserved. SMART Board, SMART Room System, the SMART logo and all SMART taglines are trademarks or registered trademarks of SMART Technologies LLC in the U.S. and/or other countries. All third-party products and company names may be trademarks of their respective owners. Contents are subject to change without notice. This product and/or use thereof covered by one or more of the following U.S. patents: smarttech.com/patents. Other patents pending. 01/2014.

1022934 Rev 02
 smarttech.com/kb/170630